

CONSTRUCTION DRAWINGS

TD-3: HIGH SERVICE LEVEL DISTRIBUTION MAIN REPLACEMENT (PHASE II)

NE1/4, SECTION 1, T.35N., R.6W., B.M.
CITY OF LEWISTON, NEZ PERCE COUNTY, IDAHO

SHEET INDEX

GENERAL	
C-1	COVER AND SHEET INDEX
C-2	LEGEND, GENERAL NOTES & QUANTITY SUMMARY
C-3	DETAILS
C-4	OVERALL PARTS LIST & PATCH BACK DETAILS
C-5	PLAN & PROFILE
C-6	PLAN & PROFILE
C-7	PLAN & PROFILE
C-8	PLAN & PROFILE

SURVEY CONTROL

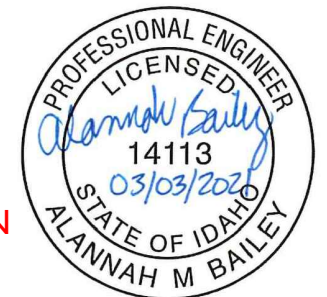
1. City of Lewiston Survey Control Network 2006, Reference the Record of Survey filed under Instrument Number 738222 of Nez Perce County records for Control Point locations and information.

AGENCY TELEPHONE NUMBERS

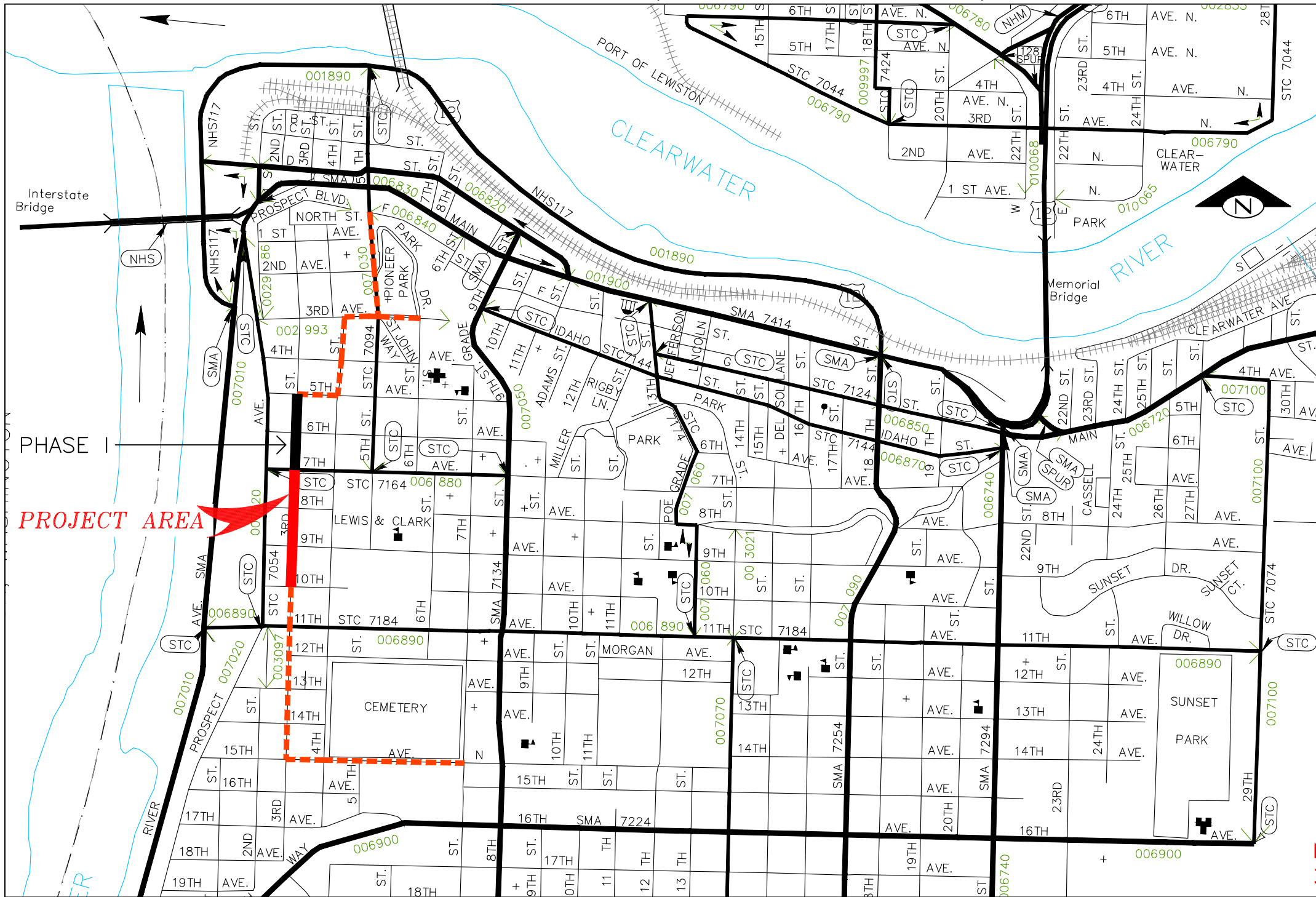
PUBLIC WORKS DEPARTMENT	208 746-1316
STREETS / TRAFFIC	208 791-2311
WASTEWATER	208 791-0986
AVISTA UTILITIES	208 798-1473
CABLEONE	208 746-3325
CENTURYLINK	208 798-8380
DIGLINE UNDERGROUND UTILITY LOCATE	811



THE LOCATION OF EXISTING UTILITIES ON THESE PLANS ARE APPROXIMATE AND ARE SHOWN FOR INFORMATION ONLY. THE CONTRACTOR SHALL PERFORM A SEPARATE INVESTIGATION IN THE FIELD TO DETERMINE THE EXACT LOCATION OF ALL EXISTING UNDERGROUND UTILITIES. INFORMATION REGARDING THE LOCATION OF EXISTING UNDERGROUND UTILITIES CAN BE OBTAINED FROM CALLING DIG LINE AT 811.



FOR CONSTRUCTION
3/29/2021



REVISIONS			
NO.	DATE	DESCRIPTION	BY



215 "D" Street, Lewiston, ID 83501-1930
Phone: 208-746-1316 Fax: 208-746-5595

**TD-3 DISTRIBUTION MAIN REPLACEMENT
PHASE II - 3RD STREET 7TH TO 10TH AVE**

COVER AND SHEET INDEX

SCALE: 1" = 600'
DESIGNED BY: A.M.B.
DRAWN BY: B.D.S.
CHECKED BY: CREW
SHEET SET: WR503-P2
DATE: 03-03-2021
DRAWING NO.: C-1
SHEET 1 OF 8

File Name C:\Shared drives\Public Works CAPITAL\Water_Distribution\WR503-PRP TD3 Inhouse\dwg\Production Drawings\PHASE-2\WR503-LEGEND-P2.dwg Printed 3/30/2021 9:46 AM By Bruce Stewart

QUANTITY SUMMARY

ITEM NO.	TAG	ITEM DESCRIPTION	UNIT	ESTIMATED QUANTITY
201.4.1.D.1	①	Removal of Bituminous Surface	SY	1,032
201.4.1.E.1	②	Removal of Curb	LF	0
201.4.1.F.1	③	Removal Water Main & Appurtenances	EA	5
401.4.1.A.2	⑤	Water Main Pipe - 6" Ductile Iron CL 350	LF	36
401.4.1.A.3	⑥	Water Main Pipe - 6" C900, DR18	LF	62
401.4.1.A.5	⑧	Water Main Pipe - 12" C900, DR18	LF	1,124
401.4.1.B.2	⑩	Water Main Fitting - 6"	EA	3
401.4.1.B.3	⑪	Water Main Fitting - 8"	EA	1
401.4.1.B.5	⑬	Water Main Fitting - 12"	EA	14
401.4.1.C.2	⑮	Connect to Existing - 6"	EA	2
401.4.1.C.5	⑲	Connect to Existing - 12"	EA	1
402.4.1.A.1	⑳	Valve - 6" Gate	EA	4
402.4.1.A.3	㉒	Valve - 12" Gate	EA	2
403.4.1.A.1	⑭	Hydrant	EA	2
404.4.1.A.1	㉓	Water Service Connection - 3/4"	EA	34
404.4.1.A.2	㉔	Water Service Connection - 1"	EA	3
404.4.1.B.1	㉕	Water Service Pipe - 3/4"	LF	609
404.4.1.B.2	㉖	Water Service Pipe - 1"	LF	100
706.4.1.A.5	㉗	Standard 6-Inch Vertical Curb and Gutter	LF	0
810.4.1.A.3	㉘	Plant Mix Pavement, 3" thk, SP-3, PG 58-28, 1/2" Agg.	SY	1,032
1103.4.1.A.1		Construction Traffic Control	LS	1
2010.4.1.A.1		Mobilization	LS	1
SP1	㉙	Sewer Main Crossing	EA	6
SP2		Construction Surveying	LS	1

LEGEND

<ul style="list-style-type: none"> ⊕ STORM DRAIN MANHOLE □ CATCH BASIN ⊕ SANITARY SEWER MANHOLE ⊕ GAS VALVE ⊕ GATE VALVE ⊕ FIRE HYDRANT ⊕ WATER METER ⊕ IRRIGATION CONTROL BOX ⊕ IRRIGATION VALVE ⊕ WATER MANHOLE ⊕ WATER VAULT 	<ul style="list-style-type: none"> ⊕ SURVEY MONUMENT IN CASE ⊕ CENTERLINE MONUMENT ⊕ PROPERTY PIN ⊕ ELECTRIC VAULT ⊕ POWER POLE ⊕ LIGHT POLE → GUY ANCHOR ⊕ TELEPHONE PEDESTAL ⊕ TELEPHONE MANHOLE / VAULT
---	---

--- CENTERLINE	
--- RIGHT-OF-WAY	
--- EXISTING WATERLINE	
--- EXISTING LOID DOMESTIC WATERLINE (SIZE)	
--- EXISTING LOID IRRIGATION LINE (SIZE)	
--- EXISTING SANITARY SEWER	
--- EXISTING GAS	
--- EXISTING TELEPHONE	
--- EXISTING FIBER OPTIC	
--- EXISTING STORM DRAIN	
--- EXISTING UG POWER	
--- EXISTING CONCRETE/SIDEWALK	
--- EXISTING CURB & GUTTER	

 REMOVAL OF BITUMINOUS SURFACE / TYPE "P" SURFACE RESTORATION AREA	
 PROPOSED CURB & GUTTER	
--- PROPOSED WATERLINE	

CONSTRUCTION NOTES

GENERAL:

1. ALL CONSTRUCTION WORK SHALL CONFORM TO THE CITY OF LEWISTON STANDARD DRAWINGS AND THE 2017 IDAHO STANDARDS SPECIFICATIONS FOR PUBLIC WORKS CONSTRUCTION (ISPGWC). IN THE CASE OF CONFLICT, THE PROJECT PLANS AND TECHNICAL SPECIFICATIONS WILL PREVAIL OVER CITY STANDARDS, WHICH WILL PREVAIL OVER ISPGWC.
2. A CITY RIGHT-OF-WAY PERMIT IS REQUIRED FOR ALL WORK WITHIN THE PUBLIC RIGHT-OF-WAY.
3. WORK SUBJECT TO APPROVAL MUST BE APPROVED PRIOR TO (A) BACKFILLING TRENCHES FOR PIPE; (B) PLACING OF AGGREGATE BASE; (C) PLACING OF CONCRETE; (D) PLACING OF ASPHALT PAVING.
4. INSPECTION, APPROVAL AND FINAL ACCEPTANCE OF ALL CONSTRUCTION SHALL BE BY THE PUBLIC WORKS DEPARTMENT, AND THEIR DECISION SHALL BE FINAL. SUCH INSPECTION SHALL NOT RELIEVE THE CONTRACTOR FROM THE RESPONSIBILITY OF PERFORMING THE WORK IN AN ACCEPTABLE MANNER IN ACCORDANCE WITH THE APPROVED CONSTRUCTION PLANS.
5. CONTRACTORS SHALL BE RESPONSIBLE FOR COORDINATING WITH AFFECTED FRANCHISE UTILITIES DURING CONSTRUCTION.
6. PROPERTIES IMPACTED BY CONSTRUCTION ACTIVITIES SHALL BE NOTIFIED A MINIMUM OF TWO (2) DAYS PRIOR TO DISRUPTING THEIR WATER SERVICE OR ACCESS TO THEIR PROPERTY.
7. UNDERGROUND UTILITIES SHALL BE VERIFIED BY NOTIFYING THE ONE CALL (811) THREE (3) WORKING DAYS IN ADVANCE OF PERFORMING EXCAVATION WORK. PROTECT UTILITY MARKINGS DURING CONSTRUCTION. DETERMINE BY HAND DIGGING, IN THE AREA (24 INCHES) OR LESS FROM THE FACILITIES, THE PRECISE ACTUAL LOCATIONS OF UNDERGROUND FACILITIES THAT HAVE BEEN MARKED. COMPLY WITH SECTION 55-2201 OF IDAHO CODE ENTITLED "UNDERGROUND FACILITIES DAMAGE PREVENTION".
8. CONTRACTOR MUST SUBMIT A TRAFFIC CONTROL PLAN AT LEAST 5 WORKING DAY IN ADVANCE OF ANTICIPATED START DATE. APPROVAL OF THE TRAFFIC CONTROL PLAN IS REQUIRED BEFORE WORK BEGINNING ANY WORK.

WATER:

1. CONSTRUCTION OF POTABLE WATER LINES SHALL CONFORM TO THE STANDARDS IN THE "IDAHO RULES FOR PUBLIC DRINKING WATER SYSTEMS (IDAPA 58.01.08)", WHICH IN CASE OF CONFLICT PREVAILS OVER THE STANDARDS REFERENCED IN GENERAL CONDITIONS NOTE NO. 1.
2. THE CONTRACTOR SHALL BE RESPONSIBLE FOR NOTIFYING WATER USERS PRIOR TO DISRUPTING SERVICE. NO USER SHALL BE WITHOUT WATER SERVICE OVERNIGHT OR FOR MORE THAN 4 HOURS DURING NORMAL BUSINESS HOURS.
3. ALL WATER WORKS COMPONENTS SHALL BE ANS/NSF 61 CERTIFIED, AND MUST MEET ALL AMERICAN WATER WORKS ASSOCIATION (AWWA) AND STANDARD REQUIREMENTS OF IDAPA 58.01.08.
4. THE NEW WATER MAIN SHALL BE CONSTRUCTED IN ACCORDANCE WITH THESE PLANS AND STANDARDS REFERENCED IN GENERAL CONDITIONS NOTE NO. 1. ALL WORK SHALL BE SUBJECT TO ACCEPTANCE BY THE CITY OF LEWISTON PURSUANT TO THE ENGINEERING DEPARTMENT'S CURRENT INSPECTION CHECKLIST.
5. FLUSHING AND DISINFECTION SHALL BE BY THE CITY WATER DIVISION PER ISPGWC 401.3.9 AND IN ACCORDANCE AWWA C651.
6. PRESSURE AND LEAKAGE TEST SHALL BE PER ISPGWC 401.3.6 AND IN ACCORDANCE WITH AWWA C600.
7. ALL FITTINGS AND VALVES SHALL HAVE MJ JOINTS UNLESS MULTIPLE FITTINGS AND/OR VALVES ARE TOGETHER IN A SINGLE ASSEMBLY, IN WHICH CASE, COMMON JOINTS BETWEEN THEM SHALL BE FLANGED. MJ TO MJ CONNECTIONS SHALL INCLUDE A FOSTER ADAPTER IN BETWEEN. ALL FITTINGS SHALL HAVE RESTRAINED JOINTS. NOTIFY THE ENGINEER IF ADDITIONAL HORIZONTAL OR VERTICAL FITTINGS ARE NECESSARY.

ROADWAY:

1. ALL ASPHALT JOINTS SHALL BE SAW CUT UNLESS SPECIFICALLY NOTED OTHERWISE IN THE DRAWINGS.
2. ALL ASPHALT SURFACES AND ADJACENT PAVEMENT, LONGITUDINAL JOINTS, EDGES OF SURFACE UTILITIES AND CURB EDGES SHALL BE TACKED.
3. ALL UTILITIES IN THE PUBLIC RIGHT-OF-WAY SHALL BE ADJUSTED TO MATCH FINISH GRADE. CUTTING AND PAVEMENT PATCHING IS NOT ALLOWED. IF ADJUSTED PRIOR TO PAVING THE UTILITY MUST BE PAVED AROUND. IF ADJUSTED AFTER PAVING CONCRETE COLLARS CONFORMING TO CITY STANDARD DRAWINGS 1-10 AND 5-6 ARE REQUIRED.

PUBLIC SURVEY MONUMENT:

ALL PUBLIC AND PRIVATE LAND SURVEY MONUMENTS DISTURBED BY CONSTRUCTION ACTIVITIES MUST BE REFERENCED BY AN IDAHO LICENSED PROFESSIONAL LAND SURVEYOR PRIOR TO DISTURBANCE. ANY DISTURBED PUBLIC AND PRIVATE MONUMENTS SHALL BE RE-ESTABLISHED BY AN IDAHO LICENSED PROFESSIONAL LAND SURVEYOR BEFORE PROJECT COMPLETION. IF MONUMENTS ARE FOUND DURING CONSTRUCTION THAT ARE NOT SHOWN ON THE CONSTRUCTION ON PLANS, THE MONUMENTS MUST BE REFERENCED AND RE-ESTABLISHED BY AN IDAHO LICENSED PROFESSIONAL LAND SURVEYOR. SECTION CORNER MONUMENTS DISTURBED AND REESTABLISHED AFTER CONSTRUCTION SHALL HAVE CORNER RECORDS COMPLETED AND RECORDED AT THE NEZ PERCE COUNTY RECORDERS OFFICE.



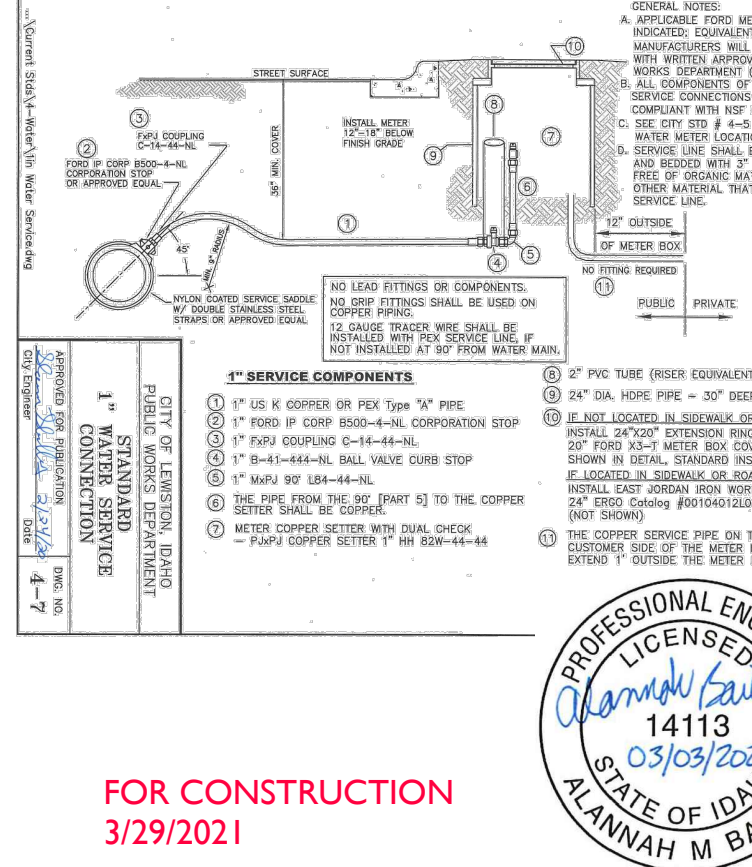
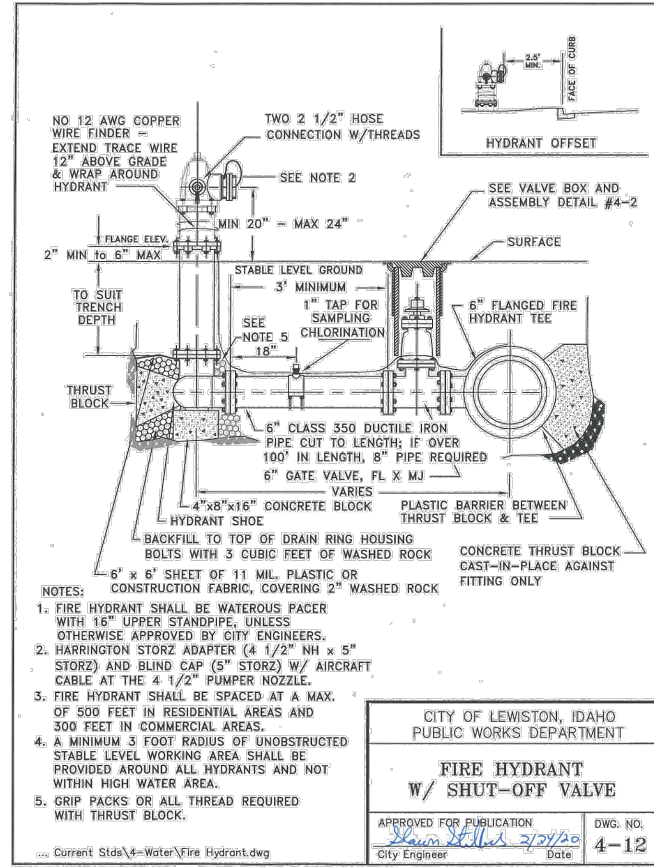
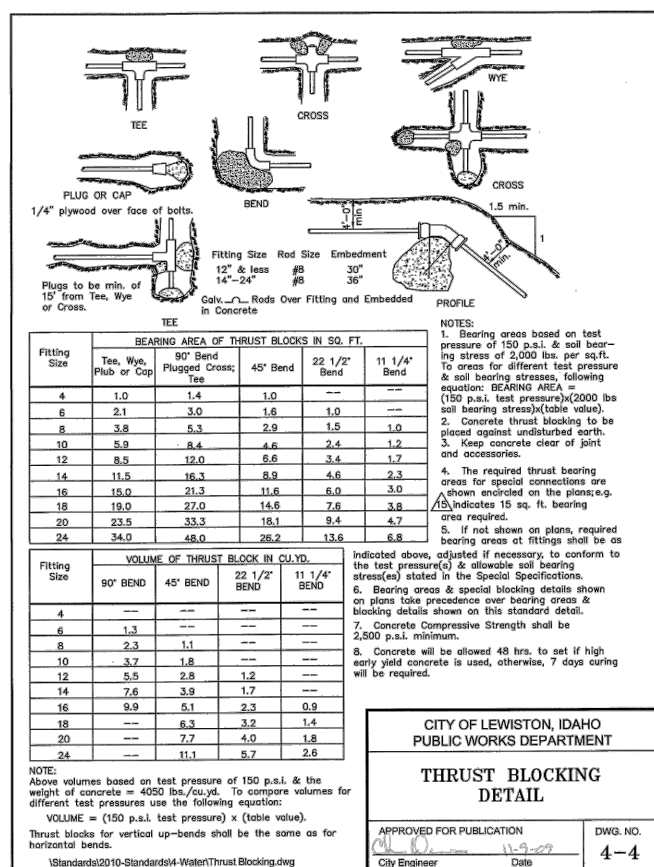
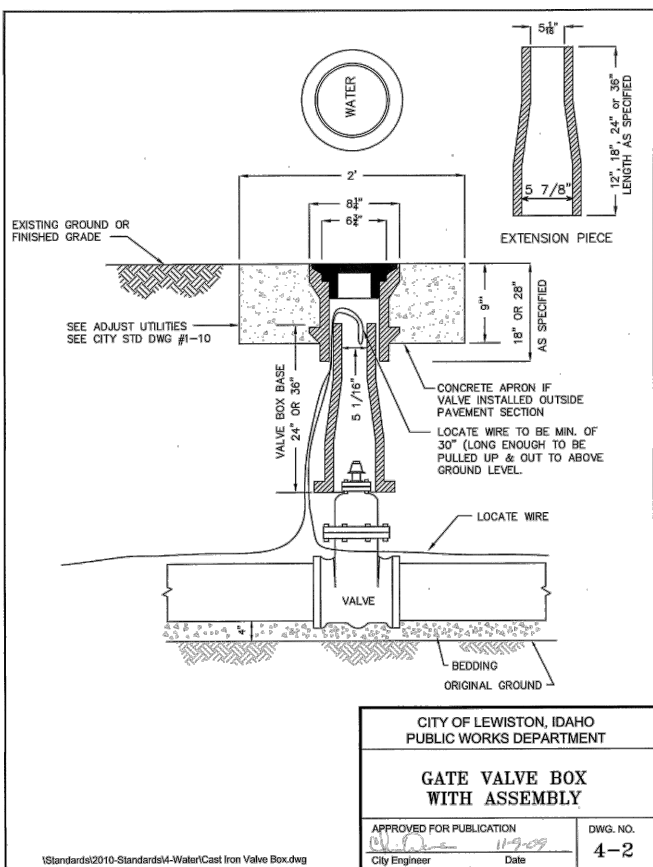
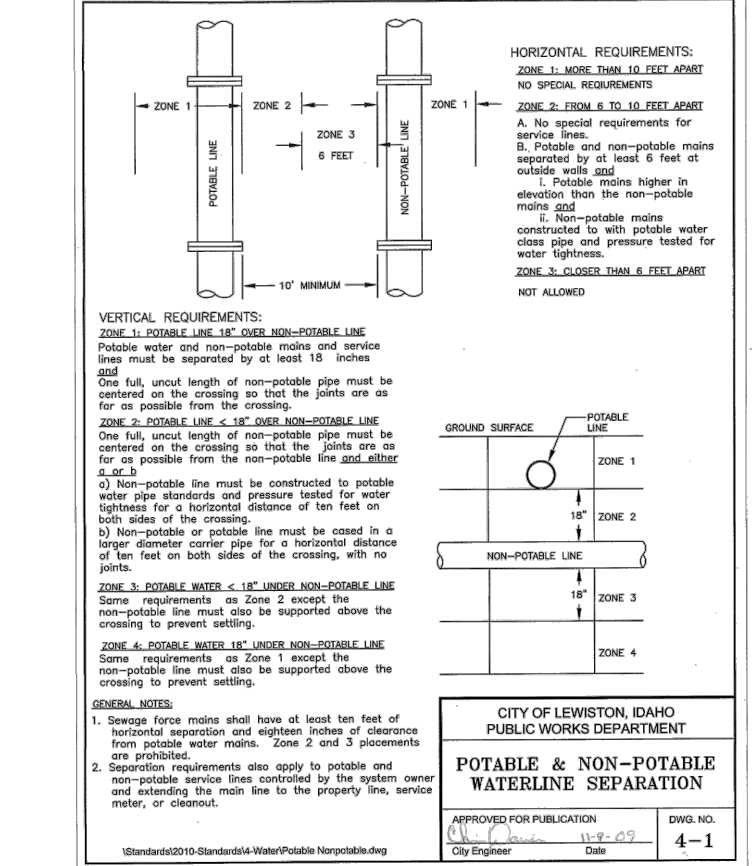
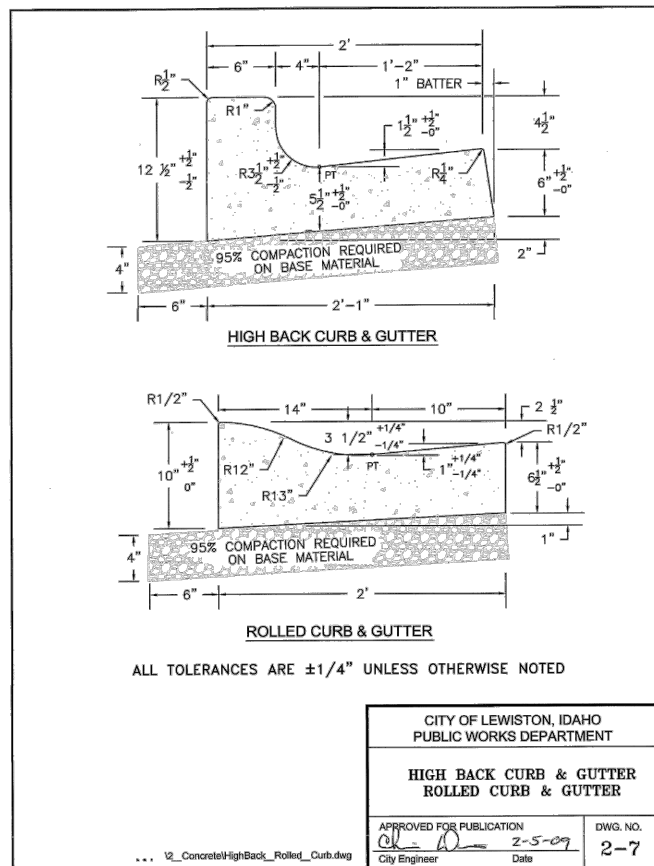
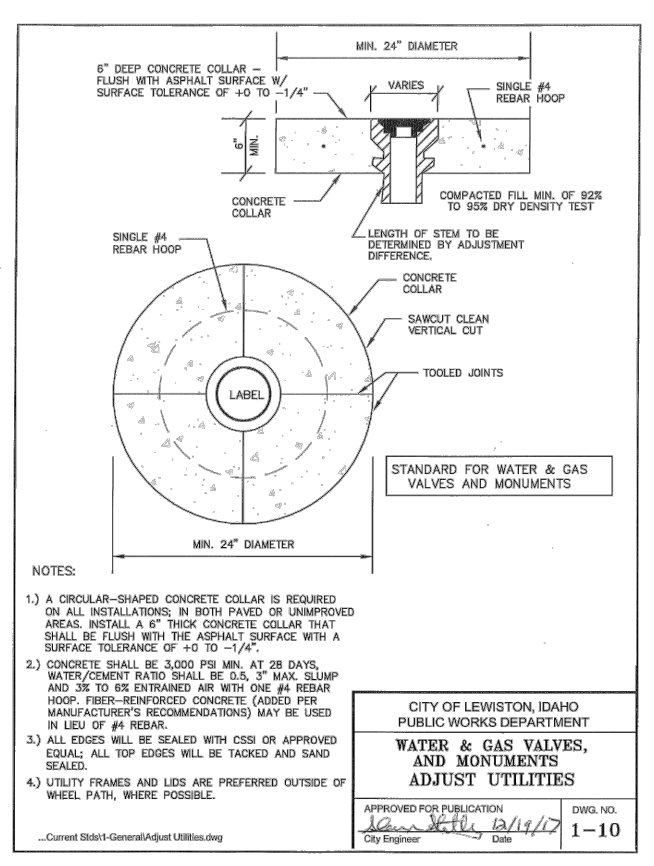
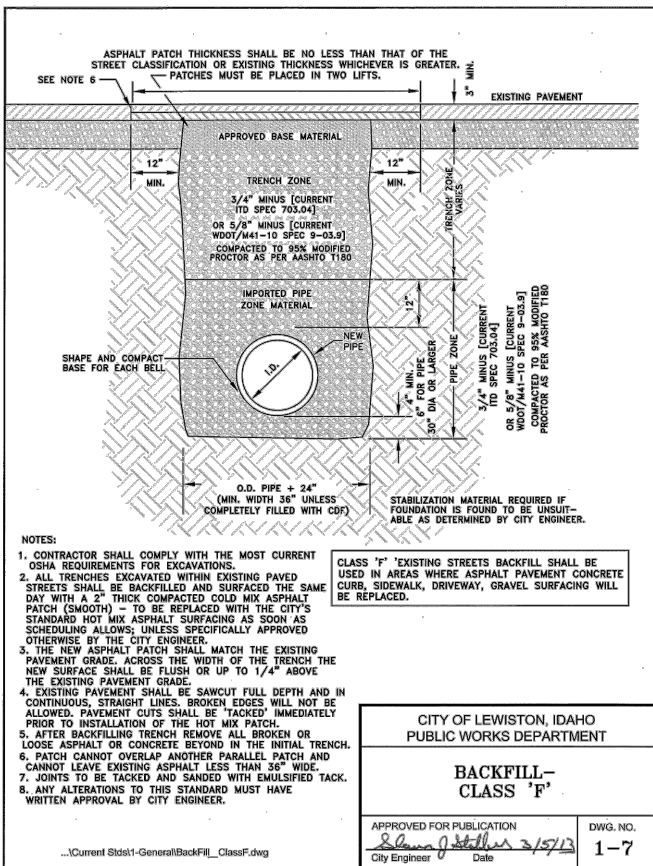
FOR CONSTRUCTION
3/29/2021

REVISIONS			
NO.	DATE	DESCRIPTION	BY

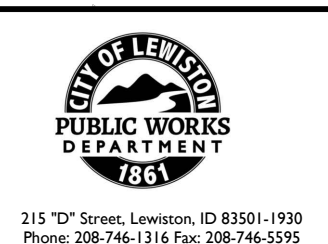
215 "D" Street, Lewiston, ID 83501-1930
Phone: 208-746-1316 Fax: 208-746-5595

TD-3 DISTRIBUTION MAIN REPLACEMENT PHASE II - 3RD STREET 7TH TO 10TH AVE	SCALE: N/A DESIGNED BY: A.M.B. DRAWN BY: B.D.S. CHECKED BY: CREW SHEET SET: WR503-P2 DATE: 03-03-2021 DRAWING NO.: C-2 SHEET 2 OF 8
LEGEND, GENERAL NOTES & QUANTITY SUMMARY	

File Name C:\Shared drives\Public Works CAPITAL\Water_Distribution\WR503-LEGEND-P2.dwg Printed 3/30/2021 9:46 AM By Bruce Stewart



REVISIONS			
NO.	DATE	DESCRIPTION	BY



**TD-3 DISTRIBUTION MAIN REPLACEMENT
PHASE II - 3RD STREET 7TH TO 10TH AVE**

DETAILS

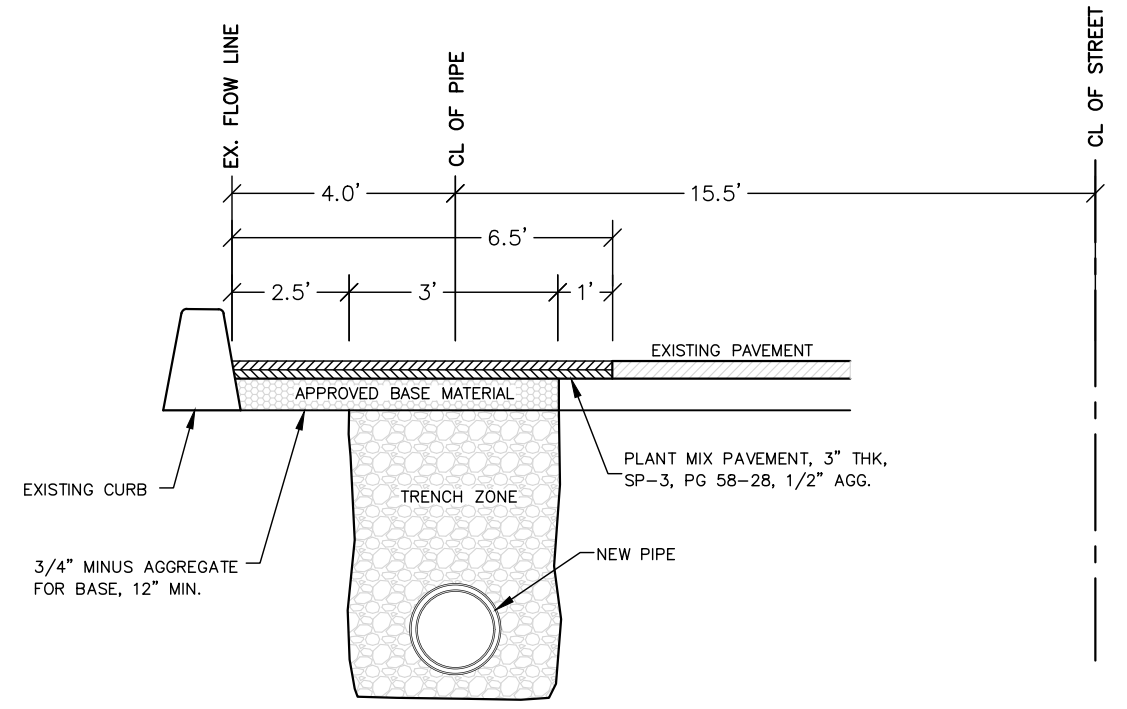
SCALE: N/A
DESIGNED BY: A.M.B.
DRAWN BY: B.D.S.
CHECKED BY: CREW
SHEET SET: WR503-P2
DATE: 03-03-2021
DRAWING NO.: C-3
SHEET 3 OF 8

File Name C:\Shared drives\Public Works CAPITAL\Water_Distribution\WR503 PRP TD3 Inhouse\dwg\Source Drawings\Pressure Networks\IP-WA\TR.dwg Printed 3/30/2021 9:47 AM By Bruce Stewart

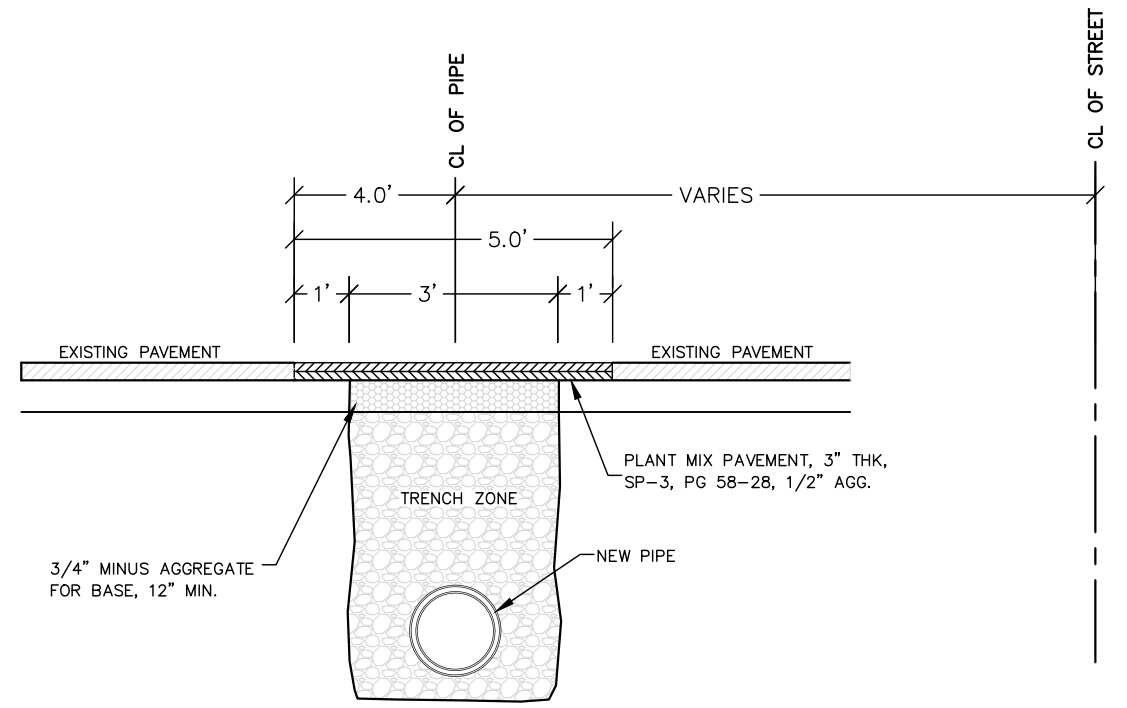
Fitting Table						
TAG	STATION	OFFSET	DESCRIPTION	NORTHING	EASTING	CL ELEV.
F-30	12+59.00	0.00	12" MJ 22 ELL	1732899.38	2301869.60	815.50
F-31	12+83.19	0.00	12" MJ 22 ELL	1732876.88	2301878.50	815.50
F-32	16+01.85	0.00	12" x 8" MJ TEE	1732558.26	2301873.70	812.85
F-33	16+01.84	1.00	8" MJ CAP	1732558.28	2301872.70	812.11
F-34	16+48.70	0.01	12" x 6" MJ x FL TEE	1732511.41	2301872.97	812.56
F-35	19+49.62	0.00	12" MJ 22 ELL	1732210.53	2301868.26	810.65
F-36	19+60.65	0.00	12" MJ 22 ELL	1732200.41	2301863.88	810.65
F-37	20+19.94	0.00	12" MJ 22 ELL	1732141.13	2301862.95	810.64
F-38	20+30.97	0.00	12" MJ 22 ELL	1732130.87	2301867.01	810.64
F-39	22+60.86	0.00	12" MJ 22 ELL	1731901.02	2301863.24	811.40
F-40	22+87.96	0.00	12" MJ 22 ELL	1731876.14	2301852.47	811.50
F-41	23+37.27	-0.03	12" x 6" MJ x FL TEE	1731826.83	2301851.75	811.65
F-42	23+88.21	0.00	12" x 6" FL x MJ TEE	1731775.91	2301850.94	811.80
F-43	23+99.12	0.01	12" x 6" FL x MJ TEE	1731765.00	2301850.77	811.85
F-44	24+05.12	0.01	12" MJ CAP	1731759.00	2301850.67	811.88
F-45	23+88.16	16.63	6" ROMAC 501	1731776.21	2301834.32	810.50
F-46	23+98.68	-49.56	6" ROMAC 501	1731764.68	2301900.34	812.48
F-47	23+87.25	18.62	6" MJ CAP	1731777.15	2301832.33	812.32

Pressure Pipe Table		
TAG	Length	DESCRIPTION
P-20	22.95	12" C900 DR 18
P-21	141.18	12" C900 DR 18
P-22	135.28	12" C900 DR 18
P-23	40.56	12" C900 DR 18
P-24	27.74	12" C900 DR 18
P-25	17.12	12" C900 DR 18
P-26	50.15	12" C900 DR 18
P-27	5.54	6" DI CLASS 350
P-28	75.15	12" C900 DR 18
P-29	173.99	12" C900 DR 18
P-30	9.78	12" C900 DR 18
P-31	58.04	12" C900 DR 18
P-32	9.78	12" C900 DR 18
P-33	93.41	12" C900 DR 18
P-34	135.22	12" C900 DR 18
P-35	25.85	12" C900 DR 18
P-36	47.69	12" C900 DR 18
P-37	47.68	12" C900 DR 18
P-38	8.91	12" C900 DR 18
P-39	3.75	12" C900 DR 18
P-40	29.51	6" DI CLASS 350
P-41	14.49	6" C900 DR 18
P-42	47.44	6" C900 DR 18

Appurtenance Table						
TAG	STATION	OFFSET	DESCRIPTOPN	NORTHING	EASTING	CL ELEV.
A-10	16+48.70	-1.43	6" FL x MJ GV	1732511.39	2301874.41	812.56
A-11	16+48.70	-7.84	4' BURY HYDRANT	1732511.29	2301880.82	812.56
A-12	23+37.27	1.41	6" FL x MJ GV	1731826.86	2301850.31	811.54
A-13	23+37.24	31.79	4' BURY HYDRANT	1731827.35	2301819.93	811.55
A-14	23+86.58	0.00	12" FL x MJ GV	1731777.53	2301850.97	811.80
A-15	23+88.20	1.62	6" FL x MJ GV	1731775.94	2301849.32	811.70
A-16	23+99.10	-1.60	6" FL x MJ GV	1731764.99	2301852.38	811.75
A-17	24+00.74	0.01	12" FL x MJ GV	1731763.37	2301850.74	811.85



TYPICAL SECTION (PATCH BACK WITH CURB)



TYPICAL SECTION (PATCH BACK, INTERSECTIONS)

**FOR CONSTRUCTION
3/29/2021**



REVISIONS			
NO.	DATE	DESCRIPTION	BY



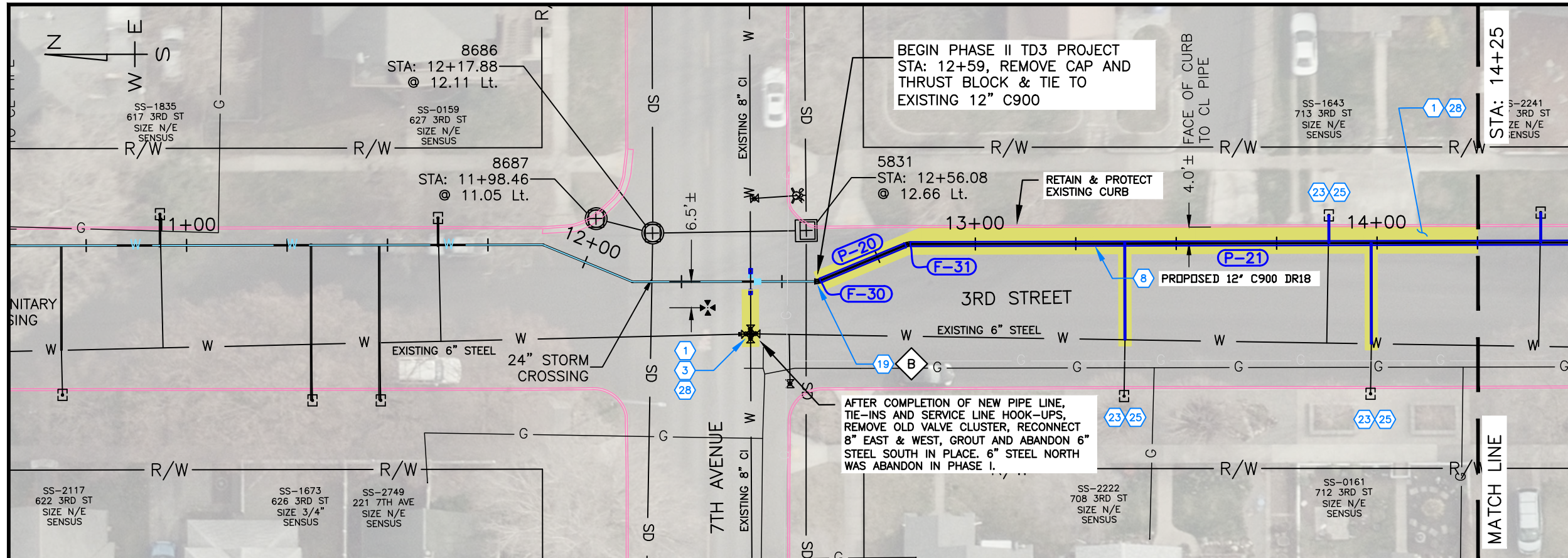
215 "D" Street, Lewiston, ID 83501-1930
Phone: 208-746-1316 Fax: 208-746-5595

**TD-3 DISTRIBUTION MAIN REPLACEMENT
PHASE II - 3RD STREET 7TH TO 10TH AVE**

OVERALL PARTS LIST & PATCH BACK DETAILS

SCALE: N/A
DESIGNED BY: A.M.B.
DRAWN BY: B.D.S.
CHECKED BY: CREW
SHEET SET: WR503-P2
DATE: 03-03-2021
DRAWING NO.: **C-4**
SHEET 4 OF 8

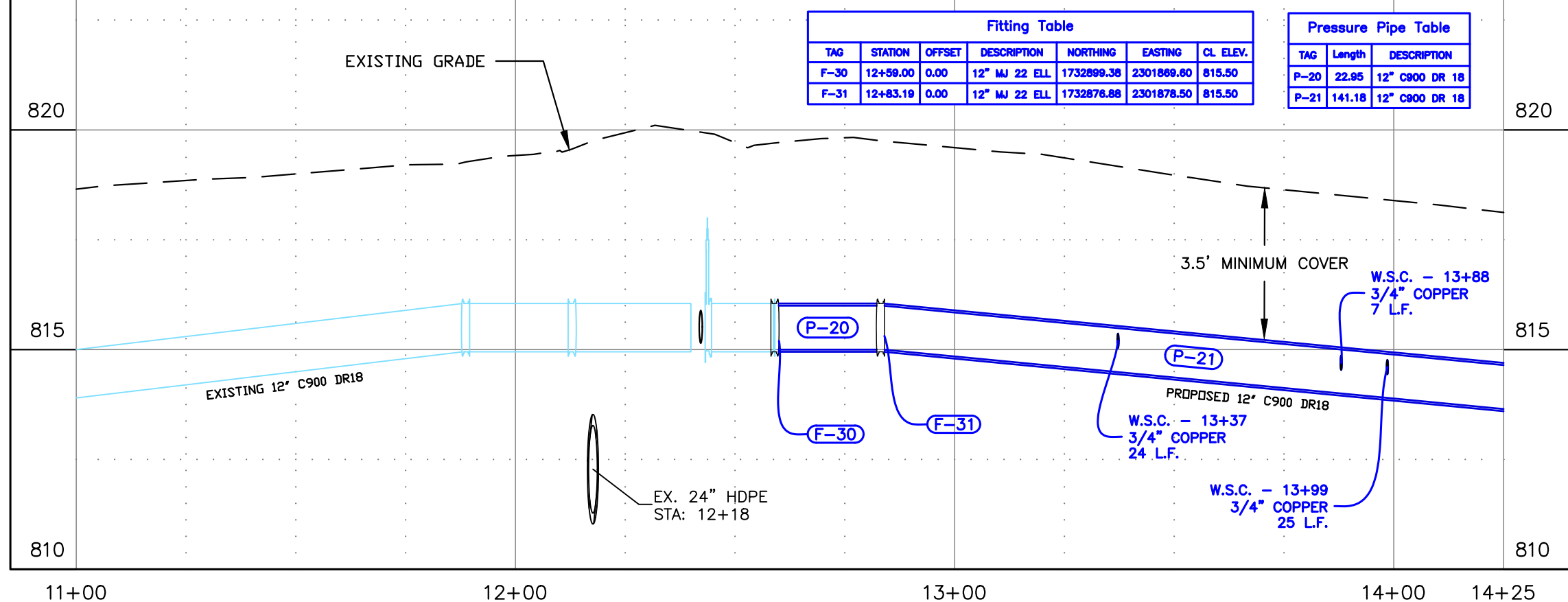
File Name G:\Shared drives\Public Works CAPITAL\Water_Distribution\WR503 PRP TD3 Inhouse\dwg\Production Drawings\PHASE-2\WR503-PLANS-P2.dwg Printed 3/30/2021 9:48 AM By Bruce Stewart



SPECIAL NOTES

- A Abandon inactive service line in place.
- B Connect to existing pipe as directed by the project engineer.

PAY ITEMS	QUANTITY
1 Removal of Bituminous Surface, Item 201.4.1.D.1	139 S.Y.
2 Removal of Curb, Item 201.4.1.E.1	0 L.F.
3 Removal of Water Main & Appurtenances, Item 201.4.1.F.1	1 L.F.
8 Water Main Pipe - 12" C900 DR18 Type, Item 401.4.1.A.5	164 L.F.
13 Water Main Fitting - 12" (See Fitting Table This Sheet), Item 402.4.1.B.5	2 EA.
19 Connect to Existing Main - 12", Item 401.4.1.C.5	1 EA.
23 Water Service Connection, 3/4", Item 404.4.1.A.1	3 EA.
24 Water Service Connection, 1", Item 404.4.1.A.2	0 EA.
25 Water Service Pipe 3/4", (See Profile this sheet for length), Item 404.4.1.B.1	56 L.F.
26 Water Service Pipe 1", (See Profile this sheet for length), Item 404.4.1.B.2	0 L.F.
27 Standard 6-inch Vertical Curb and Gutter, Item 706.4.1.A.5	0 L.F.
28 Plant Mix Pavement, 3" thk, SP-3, PG 58-28, 1/2" Gradation, Item 810.4.1.A.3	139 S.Y.
29 Sewer Main Crossing, Item SP-1	0 EA.



Fitting Table

TAG	STATION	OFFSET	DESCRIPTION	NORTHING	EASTING	CL. ELEV.
F-30	12+59.00	0.00	12" MJ 22 ELL	1732899.38	2301869.60	815.50
F-31	12+83.19	0.00	12" MJ 22 ELL	1732876.88	2301878.50	815.50

Pressure Pipe Table

TAG	Length	DESCRIPTION
P-20	22.95	12" C900 DR 18
P-21	141.18	12" C900 DR 18

FOR CONSTRUCTION
3/29/2021



REVISIONS			
NO.	DATE	DESCRIPTION	BY

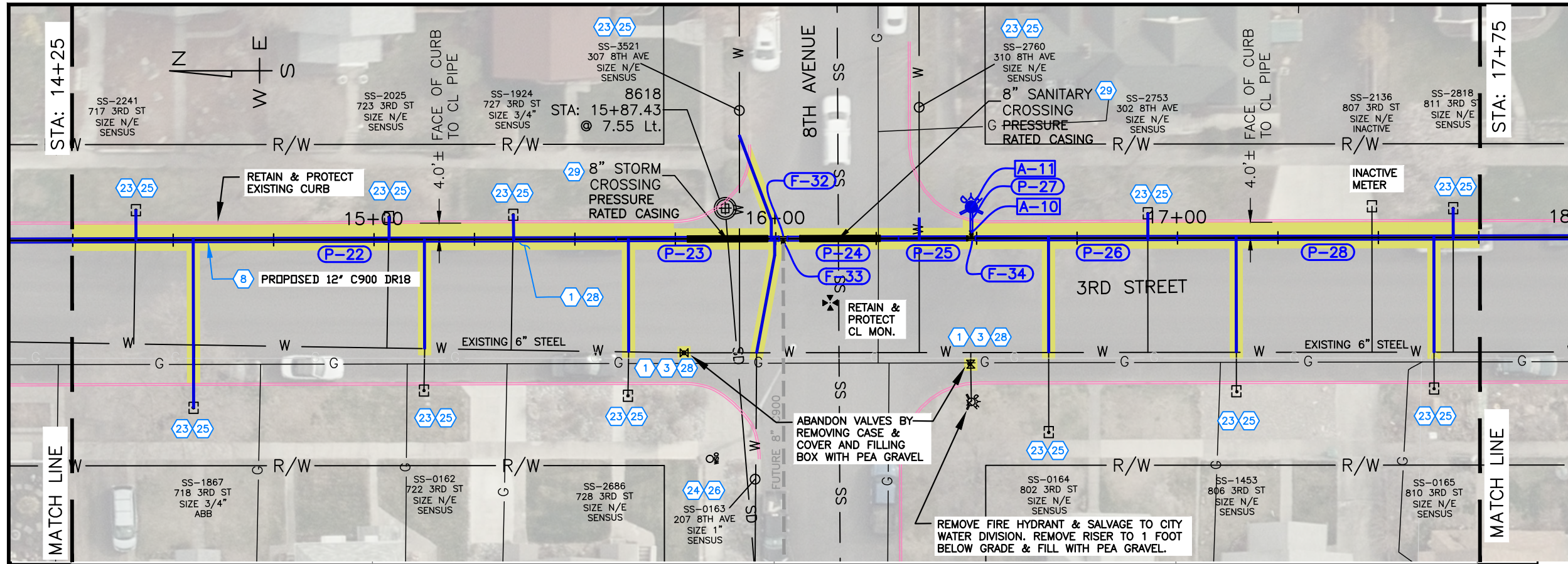


TD-3 DISTRIBUTION MAIN REPLACEMENT
PHASE II - 3RD STREET 7TH TO 10TH AVE

PLAN & PROFILE

SCALE: 1" = 30'
DESIGNED BY: A.M.B.
DRAWN BY: B.D.S.
CHECKED BY: CREW
SHEET SET: WR503-P2
DATE: 03-03-2021
DRAWING NO.: C-5
SHEET 5 OF 8

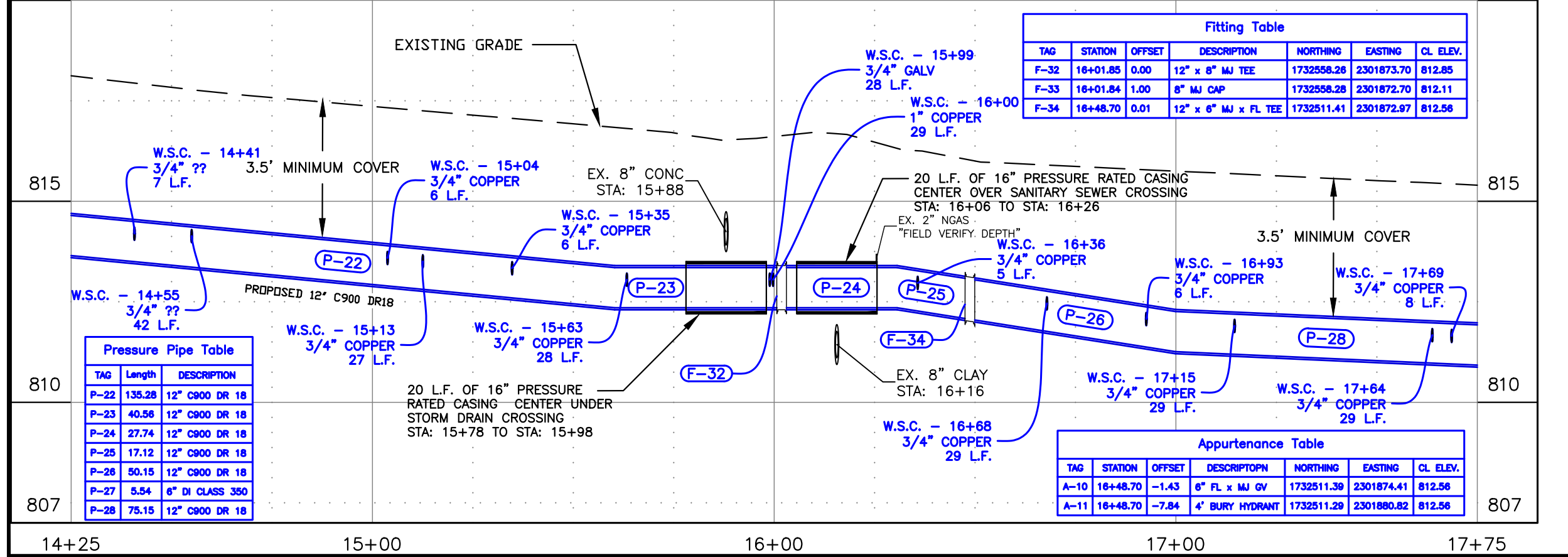
File Name C:\Shared drives\Public Works CAPITAL\Water_Distribution\WR503 PRP TD3 Inhouse\dwg\Production Drawings\PHASE-2\WR503-PLANS-P2.dwg Printed 3/30/2021 9:48 AM By Bruce Stewart



SPECIAL NOTES

- A Abandon inactive service line in place.
- B Connect to existing pipe as directed by the project engineer.

PAY ITEMS	QUANTITY
1 Removal of Bituminous Surface, Item 201.4.1.D.1	315 S.Y.
2 Removal of Curb, Item 201.4.1.E.1	0 L.F.
3 Removal of Water Main & Appurtenances, Item 201.4.1.F.1	2 L.F.
5 Water Main Pipe - 6" DI Class 350 Type, Item 401.4.1.A.2	6 L.F.
8 Water Main Pipe - 12" C900 DR18 Type, Item 401.4.1.A.5	346 L.F.
11 Water Main Fitting - 8" (See Fitting Table This Sheet), Item 402.4.1.B.3	1 EA.
13 Water Main Fitting - 12" (See Fitting Table This Sheet), Item 402.4.1.B.5	2 EA.
14 Hydrant - (See Appurtenance Table This Sheet), Item 403.4.1.A.1	1 EA.
20 Valve - Size 6", (See Appurtenance Table This Sheet), Item 402.4.1.A.1	1 EA.
23 Water Service Connection, 3/4", Item 404.4.1.A.1	13 EA.
24 Water Service Connection, 1", Item 404.4.1.A.2	1 EA.
25 Water Service Pipe 3/4", (See Profile this sheet for length), Item 404.4.1.B.1	250 L.F.
26 Water Service Pipe 1", (See Profile this sheet for length), Item 404.4.1.B.2	29 L.F.
27 Standard 6-inch Vertical Curb and Gutter, Item 706.4.1.A.5	0 L.F.
28 Plant Mix Pavement, 3" thk, SP-3, PG 58-28, 1/2" Gradation, Item 810.4.1.A.3	315 S.Y.
29 Sewer Main Crossing, Item SP-1	2 EA.



Fitting Table

TAG	STATION	OFFSET	DESCRIPTION	NORTHING	EASTING	CL. ELEV.
F-32	16+01.85	0.00	12" x 8" MJ TEE	1732558.26	2301873.70	812.85
F-33	16+01.84	1.00	8" MJ CAP	1732558.28	2301872.70	812.11
F-34	16+48.70	0.01	12" x 6" MJ x FL TEE	1732511.41	2301872.97	812.56

Pressure Pipe Table

TAG	Length	DESCRIPTION
P-22	135.28	12" C900 DR 18
P-23	40.56	12" C900 DR 18
P-24	27.74	12" C900 DR 18
P-25	17.12	12" C900 DR 18
P-26	50.15	12" C900 DR 18
P-27	5.54	6" DI CLASS 350
P-28	75.15	12" C900 DR 18

Appurtenance Table


TAG	STATION	OFFSET	DESCRIPTION	NORTHING	EASTING	CL. ELEV.
A-10	16+48.70	-1.43	6" FL x MJ GV	1732511.39	2301874.41	812.56
A-11	16+48.70	-7.84	4' BURY HYDRANT	1732511.29	2301880.82	812.56

FOR CONSTRUCTION
3/29/2021



NO.	DATE	DESCRIPTION	BY

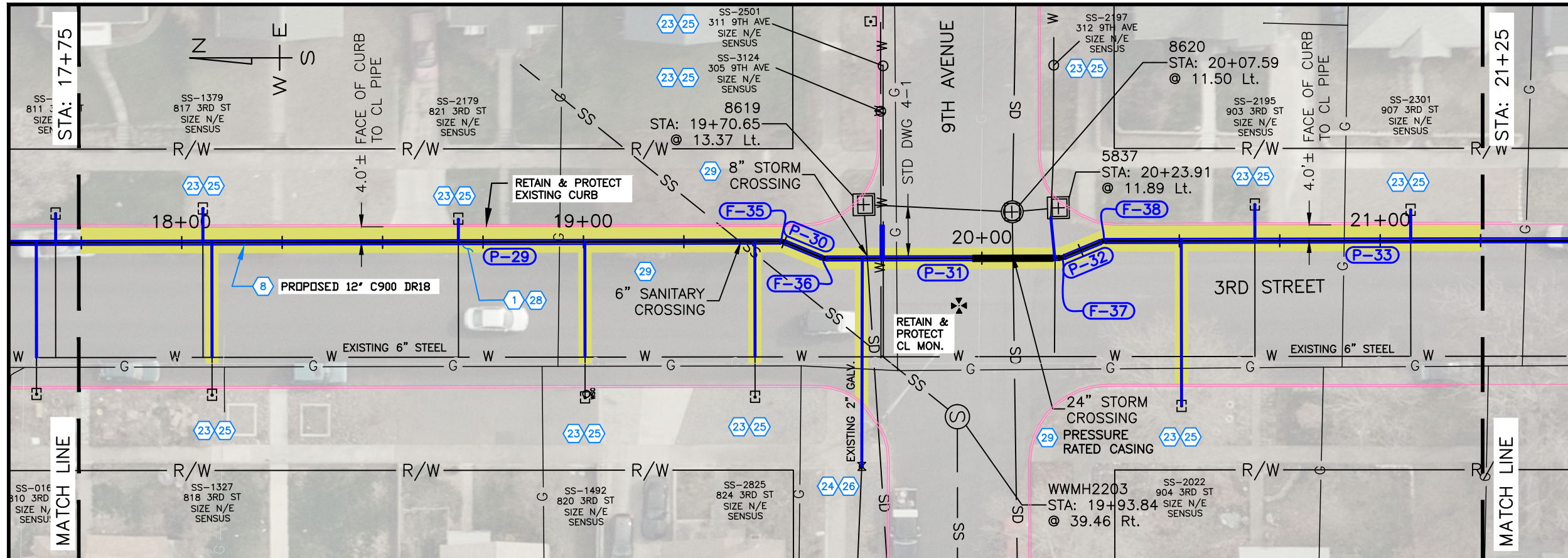
NO.	DATE	DESCRIPTION	BY


 CITY OF LEWISTON
 PUBLIC WORKS DEPARTMENT
 1861
 215 "D" Street, Lewiston, ID 83501-1930
 Phone: 208-746-1316 Fax: 208-746-5595

TD-3 DISTRIBUTION MAIN REPLACEMENT
PHASE II - 3RD STREET 7TH TO 10TH AVE
PLAN & PROFILE

SCALE: 1" = 30'
 DESIGNED BY: A.M.B.
 DRAWN BY: B.D.S.
 CHECKED BY: CREW
 SHEET SET: WR503-P2
 DATE: 03-03-2021
 DRAWING NO.: C-6
 SHEET 6 OF 8

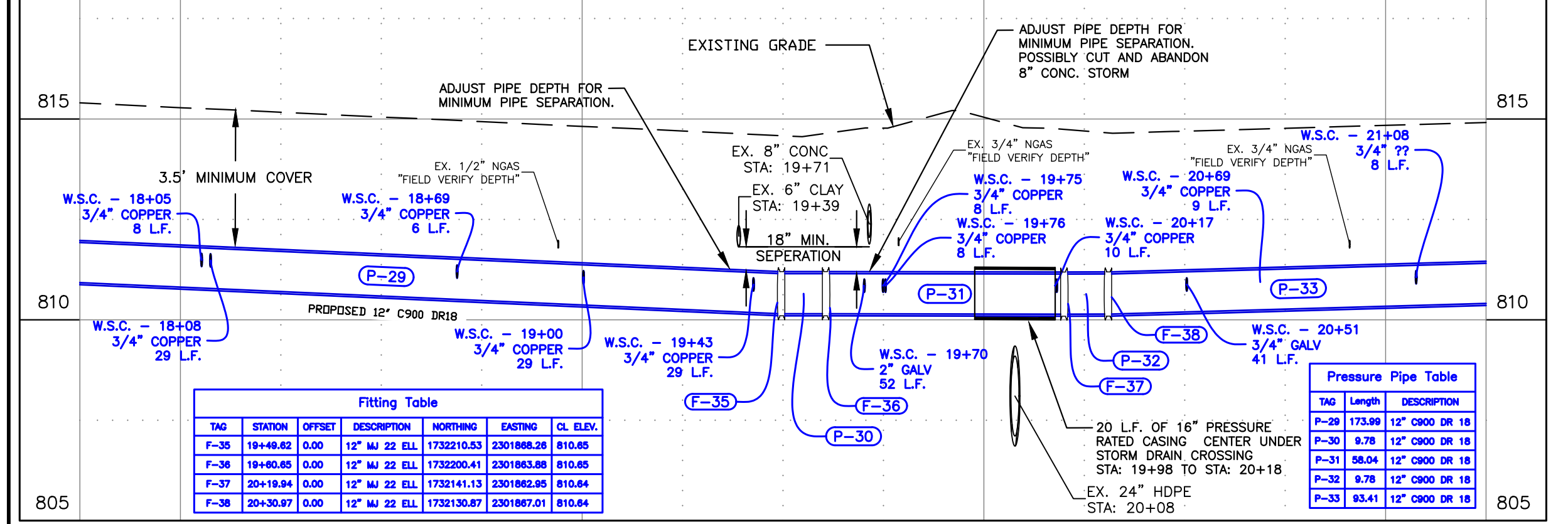
File Name: C:\Shared drives\Public Works CAPITAL\Water_Distribution\WR503 PRP TD3 Inhouse\dwg\Production Drawings\PHASE-2\WR503-PLANS-P2.dwg Printed 3/30/2021 9:49 AM By Bruce Stewart



SPECIAL NOTES

- A Abandon inactive service line in place.
- B Connect to existing pipe as directed by the project engineer.

PAY ITEMS	QUANTITY
1 Removal of Bituminous Surface, Item 201.4.1.D.1	286 S.Y.
2 Removal of Curb, Item 201.4.1.E.1	0 L.F.
3 Removal of Water Main & Appurtenances, Item 201.4.1.F.1	0 L.F.
8 Water Main Pipe - 12" C900 DR18 Type, Item 401.4.1.A.5	345 L.F.
13 Water Main Fitting - 12" (See Fitting Table This Sheet), Item 402.4.1.B.5	4 EA.
23 Water Service Connection, 3/4", Item 404.4.1.A.1	11 EA.
24 Water Service Connection, 1", Item 404.4.1.A.2	1 EA.
25 Water Service Pipe 3/4", (See Profile this sheet for length), Item 404.4.1.B.1	185 L.F.
26 Water Service Pipe 1", (See Profile this sheet for length), Item 404.4.1.B.2	52 L.F.
27 Standard 6-inch Vertical Curb and Gutter, Item 706.4.1.A.5	0 L.F.
28 Plant Mix Pavement, 3" thk, SP-3, PG 58-28, 1/2" Gradation, Item 810.4.1.A.3	286 S.Y.
29 Sewer Main Crossing, Item SP-1	3 EA.



Fitting Table

TAG	STATION	OFFSET	DESCRIPTION	NORTHING	EASTING	CL. ELEV.
F-35	19+49.82	0.00	12" MJ 22 ELL	1732210.53	2301868.28	810.65
F-36	19+80.65	0.00	12" MJ 22 ELL	1732200.41	2301863.88	810.65
F-37	20+19.94	0.00	12" MJ 22 ELL	1732141.13	2301862.95	810.64
F-38	20+30.97	0.00	12" MJ 22 ELL	1732130.87	2301867.01	810.64

Pressure Pipe Table

TAG	Length	DESCRIPTION
P-29	173.99	12" C900 DR 18
P-30	9.78	12" C900 DR 18
P-31	58.04	12" C900 DR 18
P-32	9.78	12" C900 DR 18
P-33	93.41	12" C900 DR 18

FOR CONSTRUCTION
3/29/2021



17+75 18+00 19+00 20+00 21+00 21+25

REVISIONS			
NO.	DATE	DESCRIPTION	BY



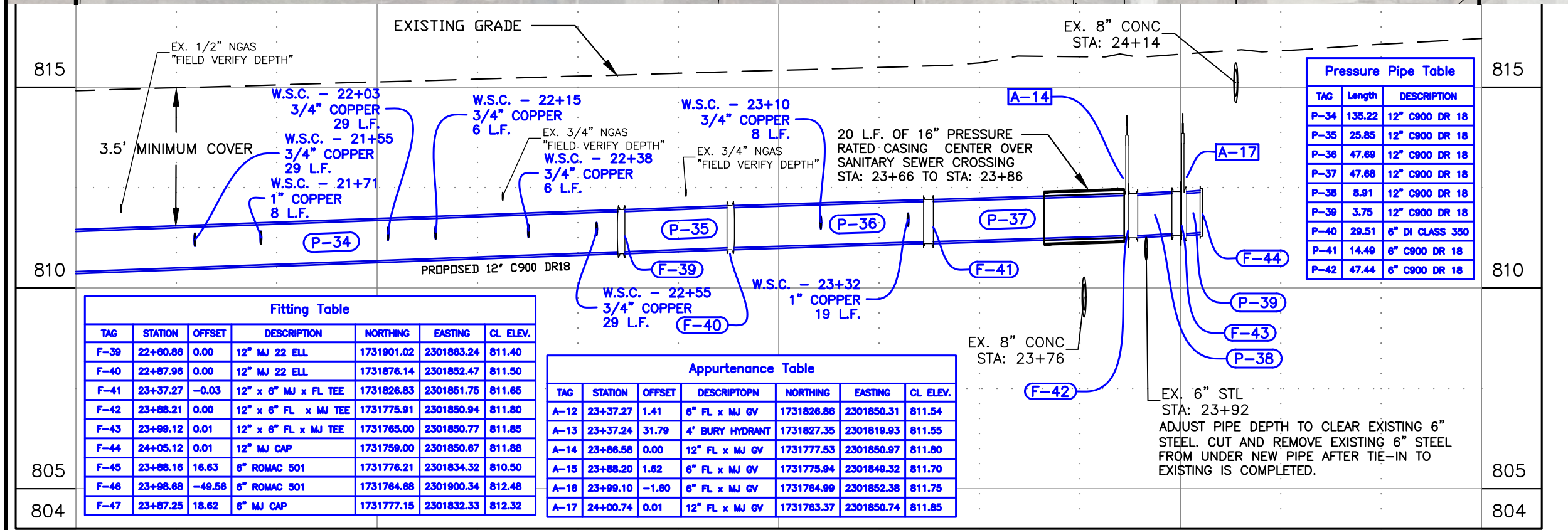
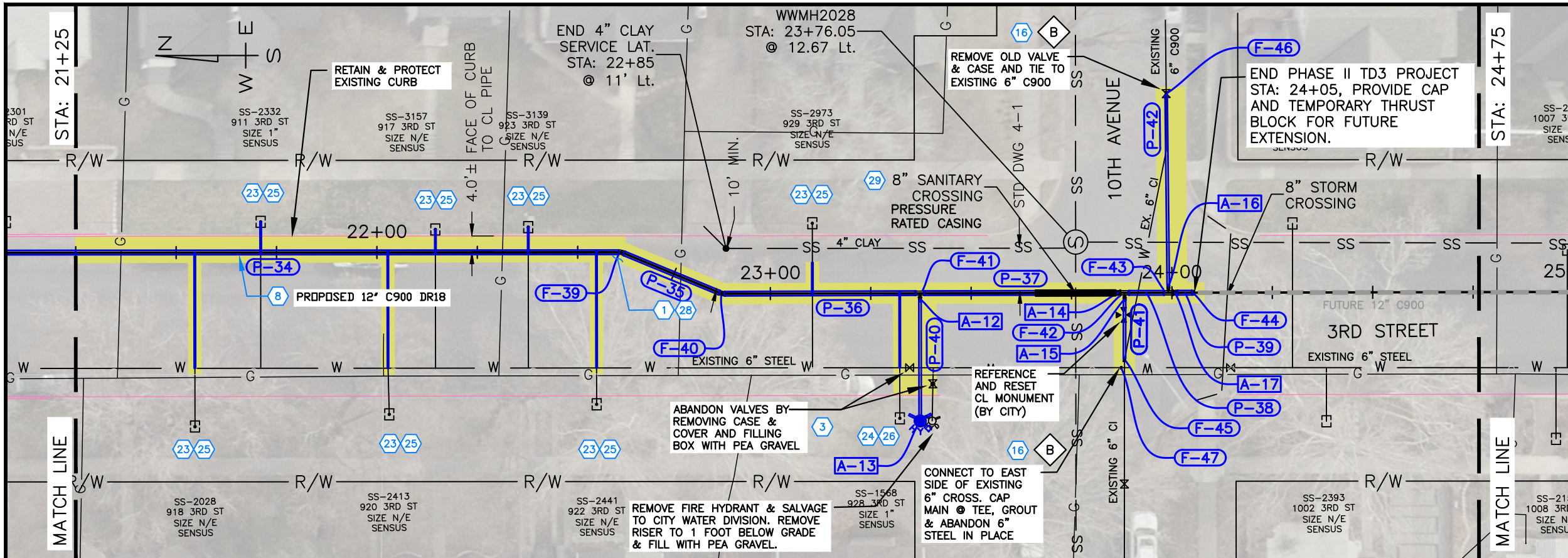
215 "D" Street, Lewiston, ID 83501-1930
Phone: 208-746-1316 Fax: 208-746-5595

TD-3 DISTRIBUTION MAIN REPLACEMENT
PHASE II - 3RD STREET 7TH TO 10TH AVE

PLAN & PROFILE

SCALE: 1" = 30'
DESIGNED BY: A.M.B.
DRAWN BY: B.D.S.
CHECKED BY: CREW
SHEET SET: WR503-P2
DATE: 03-03-2021
DRAWING NO.: C-7
SHEET 7 OF 8

File Name C:\Shared drives\Public Works\CAPTAL\Water_Distribution\WRS03 PRP TD3 Inhouse\dwg\Production Drawings\PHASE-2\WRS03-PLAN-P2.dwg Printed 3/20/2021 9:50 AM By Bruce Stewart



SPECIAL NOTES

- A Abandon inactive service line in place.
- B Connect to existing pipe as directed by the project engineer.

PAY ITEMS	QUANTITY
1 Removal of Bituminous Surface, Item 201.4.1.D.1	292 S.Y.
2 Removal of Curb, Item 201.4.1.E.1	0 L.F.
3 Removal of Water Main & Appurtenances, Item 201.4.1.F.1	2 L.F.
5 Water Main Pipe - 6" DI Class 350 Type, Item 401.4.1.A.2	30 L.F.
6 Water Main Pipe - 6" C900 DR18 Type, Item 401.4.1.A.3	62 L.F.
8 Water Main Pipe - 12" C900 DR18 Type, Item 401.4.1.A.5	269 L.F.
10 Water Main Fitting - 6" (See Fitting Table This Sheet), Item 402.4.1.B.2	3 EA.
13 Water Main Fitting - 12" (See Fitting Table This Sheet), Item 402.4.1.B.5	6 EA.
14 Hydrant - (See Appurtenance Table This Sheet), Item 403.4.1.A.1	1 EA.
16 Connect to Existing Main - 6", Item 401.4.1.C.2	2 EA.
20 Valve - Size 6", (See Appurtenance Table This Sheet), Item 402.4.1.A.1	3 EA.
21 Valve - Size 8", (See Appurtenance Table This Sheet), Item 402.4.1.A.2	0 EA.
22 Valve - Size 12", (See Appurtenance Table This Sheet), Item 402.4.1.A.3	2 EA.
23 Water Service Connection, 3/4", Item 404.4.1.A.1	7 EA.
24 Water Service Connection, 1", Item 404.4.1.A.2	1 EA.
25 Water Service Pipe 3/4", (See Profile this sheet for length), Item 404.4.1.B.1	118 L.F.
26 Water Service Pipe 1", (See Profile this sheet for length), Item 404.4.1.B.2	19 L.F.
27 Standard 6-inch Vertical Curb and Gutter, Item 706.4.1.A.5	0 L.F.
28 Plant Mix Pavement, 3" thk, SP-3, PG 58-28, 1/2" Gradation, Item 810.4.1.A.3	292 S.Y.
29 Sewer Main Crossing, Item SP-1	1 EA.

FOR CONSTRUCTION
3/29/2021

PROFESSIONAL ENGINEER
LICENSED
Alannah Bailey
14113
03/03/2021
STATE OF IDAHO
ALANNAH M BAILEY

TAG	STATION	OFFSET	DESCRIPTION	NORTHING	EASTING	CL. ELEV.
F-39	22+80.86	0.00	12" MJ 22 ELL	1731901.02	2301863.24	811.40
F-40	22+87.96	0.00	12" MJ 22 ELL	1731876.14	2301852.47	811.50
F-41	23+37.27	-0.03	12" x 6" MJ x FL TEE	1731826.83	2301851.75	811.65
F-42	23+88.21	0.00	12" x 6" FL x MJ TEE	1731775.91	2301850.94	811.80
F-43	23+99.12	0.01	12" x 6" FL x MJ TEE	1731765.00	2301850.77	811.85
F-44	24+05.12	0.01	12" MJ CAP	1731759.00	2301850.67	811.88
F-45	23+88.16	16.63	6" ROMAC 501	1731776.21	2301834.32	810.50
F-46	23+98.68	-49.56	6" ROMAC 501	1731764.68	2301900.34	812.48
F-47	23+87.25	18.62	6" MJ CAP	1731777.15	2301832.33	812.32

TAG	STATION	OFFSET	DESCRIPTION	NORTHING	EASTING	CL. ELEV.
A-12	23+37.27	1.41	6" FL x MJ GV	1731826.86	2301850.31	811.54
A-13	23+37.24	31.79	4' BURY HYDRANT	1731827.35	2301819.93	811.55
A-14	23+88.58	0.00	12" FL x MJ GV	1731777.53	2301850.97	811.80
A-15	23+88.20	1.82	6" FL x MJ GV	1731775.94	2301849.32	811.70
A-16	23+99.10	-1.60	6" FL x MJ GV	1731764.99	2301852.38	811.75
A-17	24+00.74	0.01	12" FL x MJ GV	1731763.37	2301850.74	811.85

TAG	Length	DESCRIPTION
P-34	135.22	12" C900 DR 18
P-35	25.85	12" C900 DR 18
P-36	47.69	12" C900 DR 18
P-37	47.68	12" C900 DR 18
P-38	8.91	12" C900 DR 18
P-39	3.75	12" C900 DR 18
P-40	29.51	6" DI CLASS 350
P-41	14.49	6" C900 DR 18
P-42	47.44	6" C900 DR 18

	<p>CITY OF LEWISTON PUBLIC WORKS DEPARTMENT 1861</p>	<p>TD-3 DISTRIBUTION MAIN REPLACEMENT PHASE II - 3RD STREET 7TH TO 10TH AVE</p> <p>PLAN & PROFILE</p>	<p>SCALE: 1" = 30'</p> <p>DESIGNED BY: A.M.B.</p> <p>DRAWN BY: B.D.S.</p> <p>CHECKED BY: CREW</p> <p>SHEET SET: WRS03-P2</p> <p>DATE: 03-03-2021</p> <p>DRAWING NO.: C-8</p> <p>SHEET 8 OF 8</p>												
<table border="1"> <thead> <tr><th>NO.</th><th>DATE</th><th>DESCRIPTION</th><th>BY</th></tr> </thead> <tbody> <tr><td> </td><td> </td><td> </td><td> </td></tr> <tr><td> </td><td> </td><td> </td><td> </td></tr> </tbody> </table>	NO.	DATE	DESCRIPTION	BY									<p>215 "D" Street, Lewiston, ID 83501-1930 Phone: 208-746-1316 Fax: 208-746-5595</p>		
NO.	DATE	DESCRIPTION	BY												