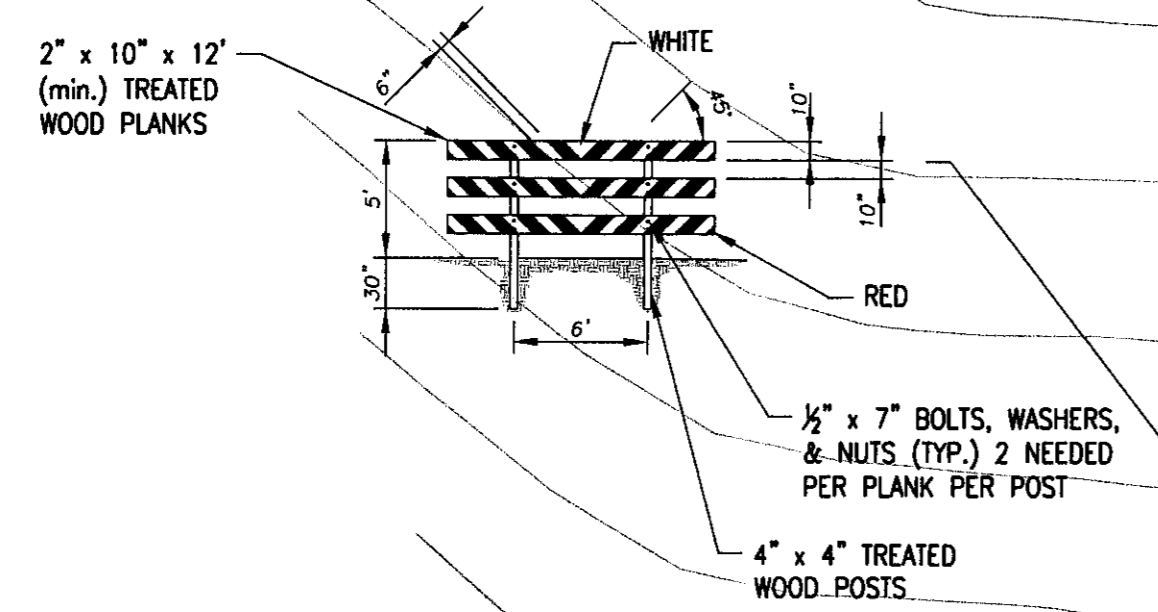


*changes in this area - not shown changes as per City's traffic folder # 12-12*

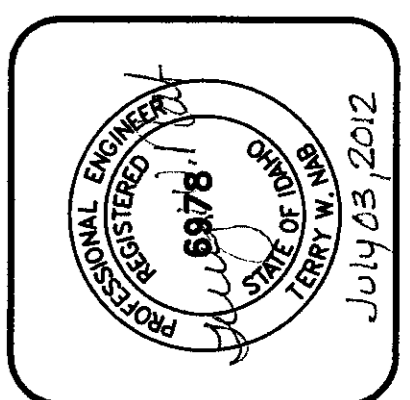
*Signage & pavement markings as per City's traffic folder # 12-12*



**TYPE III BARRICADE**  
NOT TO SCALE

**SIGNAGE & STRIPING PLAN**  
NOT TO SCALE

REVISIONS			
No.	DATE	BY	



**PROGRESSIVE ENGINEERING GROUP, INC**  
 PLANNING DESIGN & CONSTRUCTION MANAGEMENT  
 1208 IDAHO STREET  
 LEWISTON, IDAHO 83501  
 PH (208) 746-6406 FAX (208) 746-9732

**D 2 J, INC.**  
 SOUTHPORT WATER MAIN EXTENSION  
 AIRPOINTE BUSINESS PARK  
 SIGNAGE & STRIPING PLAN  
 LEWISTON, IDAHO 83501

DRAWN BY:	WRE	CHECKED BY:	TWN
DESIGNED BY:	TWN		
DATE:	02/28/11		
LAST REV:			
PROJECT NO.:	08-005		
SHEET	17	OF	17