

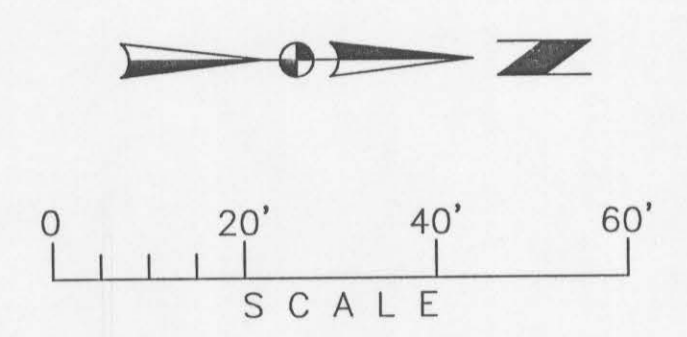


THOMAS, DEAN & HOSKINS, INC.
ENGINEERING CONSULTANTS
MONTANA
WASHINGTON
IDAHO
GREAT FALLS - BOZEMAN - KALISPELL
LEWISTON

REVISIONS	DATE	DESCR
BY	DATE	DESCR
BY	DATE	DESCR
BY	DATE	DESCR

DRAWN BY: HRF
 DESIGNED BY: JCW
 QUALITY CHECK: 4.10.09
 DATE: L07-043
 JOB NO.:
 FIELDBOOK:

GRIFFITH ADDITION
 LEWISTON, ID
 GRADING & STORM DRAIN PLAN

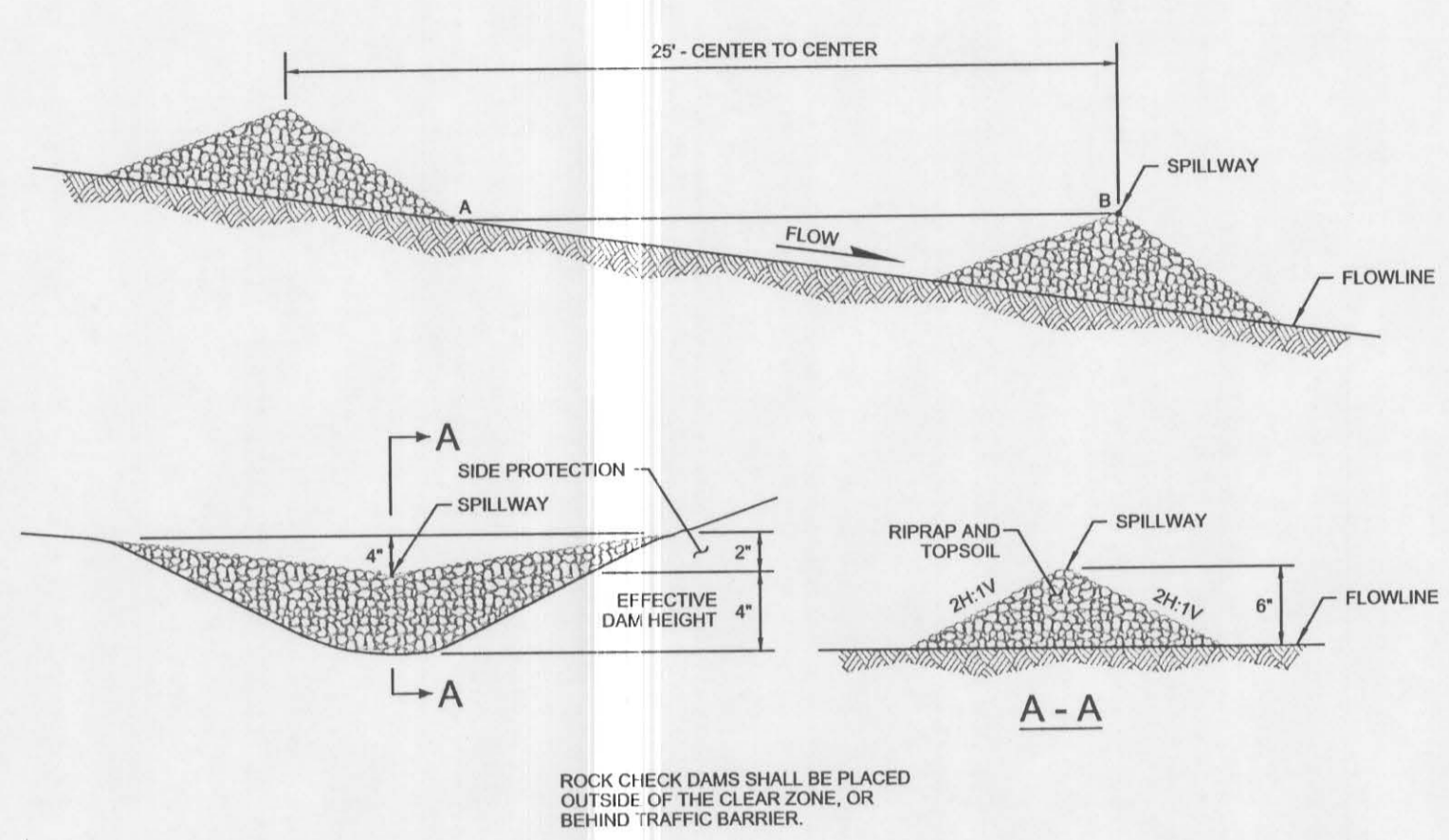


STORMWATER VOLUMES

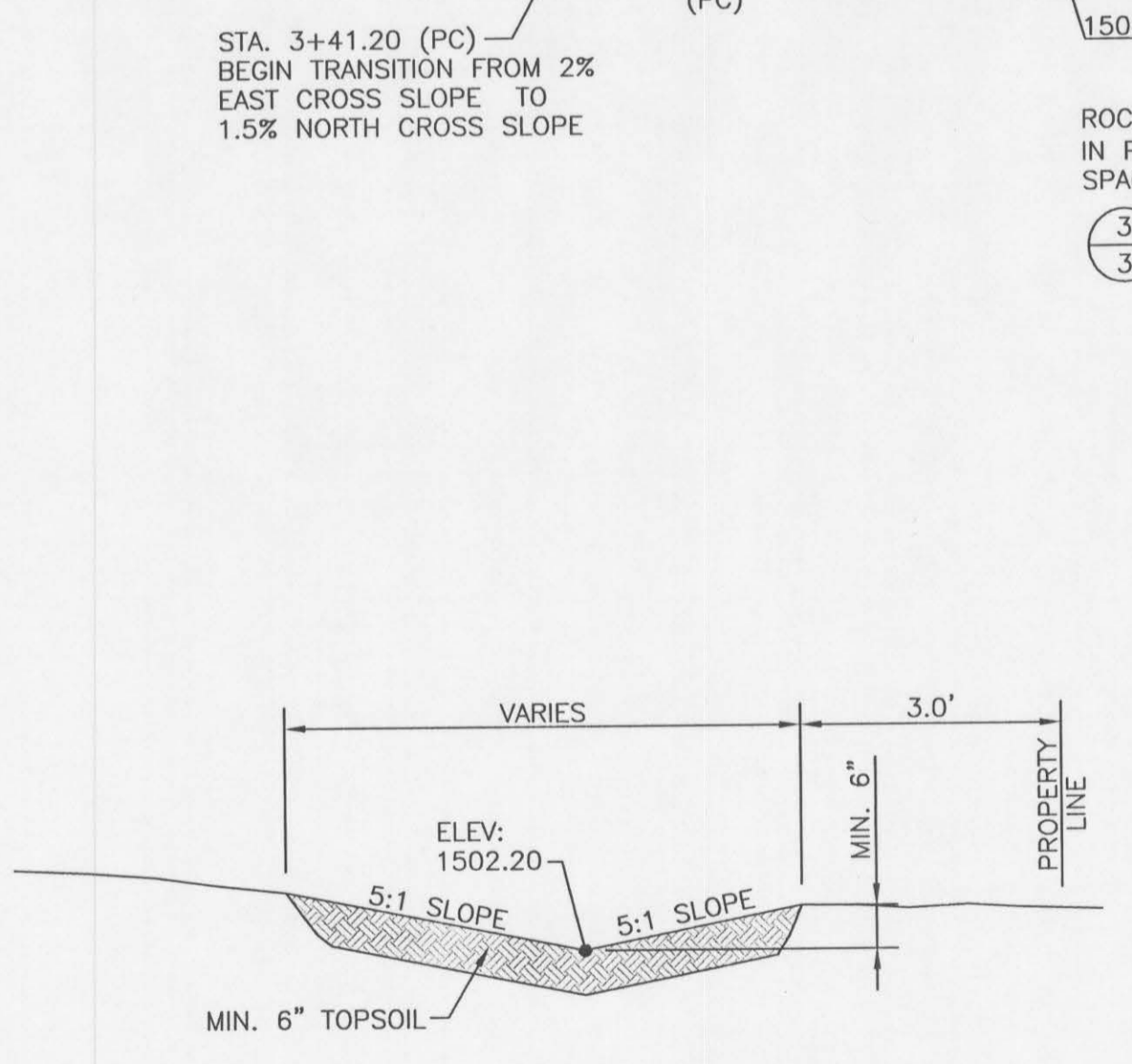
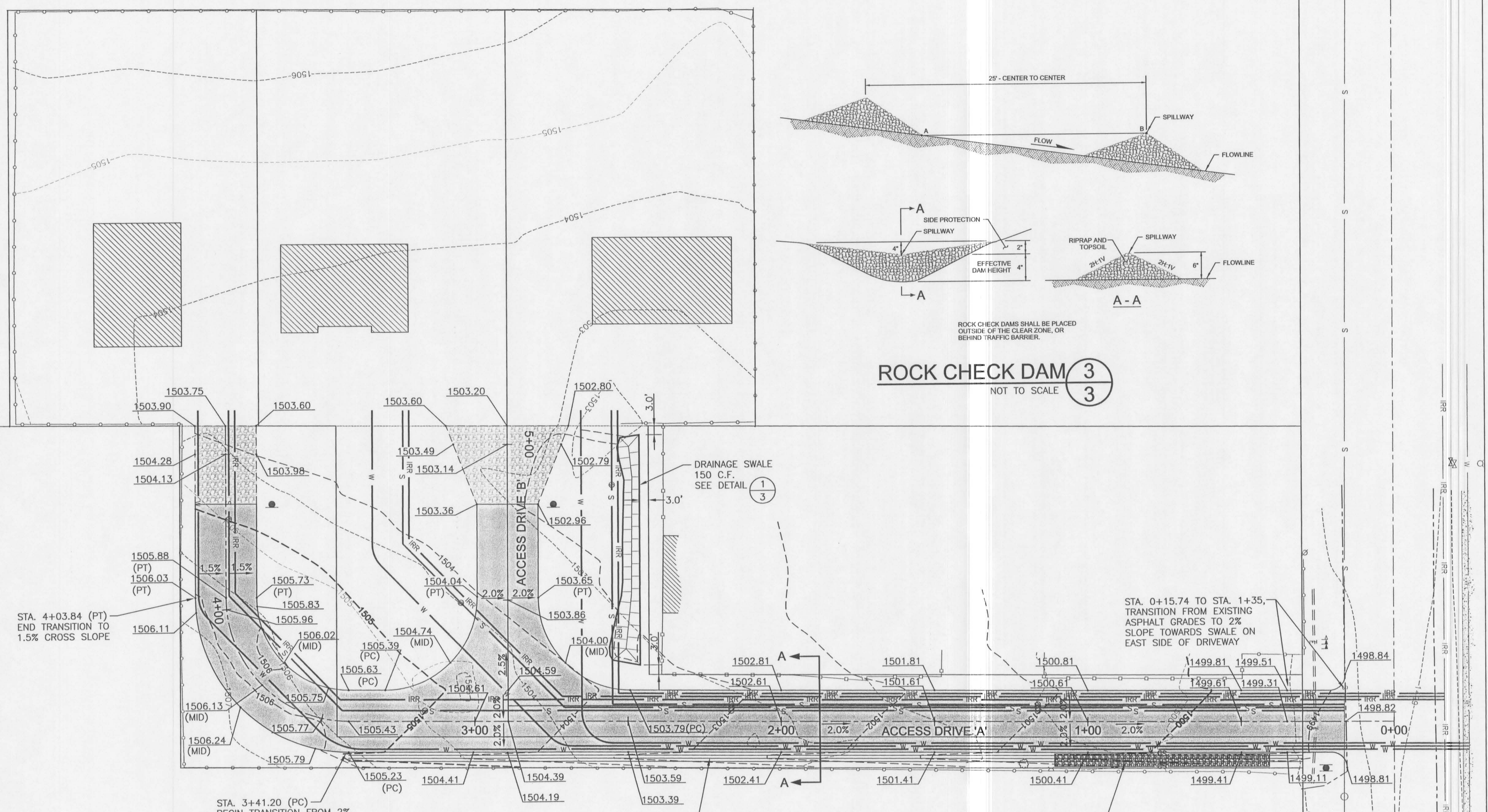
REMOVED INFILTRATION FACILITY:
 LENGTH = 30.0'
 WIDTH = 4.0'
 DEPTH = 4.5'
 VOIDS = 0.35
 VOLUME = 30(4)(4.5)(0.35) = 189 CF

PROPOSED RETENTION FACILITY:
 LENGTH = 70'
 WIDTH = 4'
 DEPTH = 1.3' TO 2.7'
 VOIDS = 0.35
 VOLUME = ((1.3'+2.7')/2) X 4' X 70' X 0.35 = 196 CF

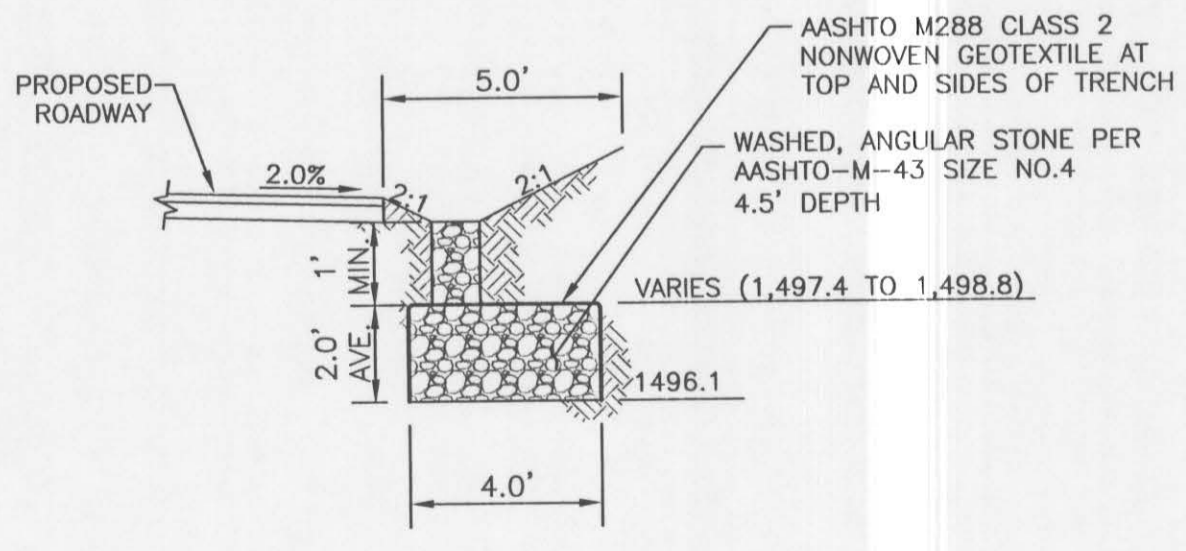
CHECK DAM NOTE:
 PLACE CHECK DAMS IN PROPOSED 6" DEEP SWALE PRIOR TO CONSTRUCTION TO CONTROL SEDIMENT. CHECK DAMS WILL BE LEFT IN PLACE TO MEDIATE POST CONSTRUCTION RUNOFF.



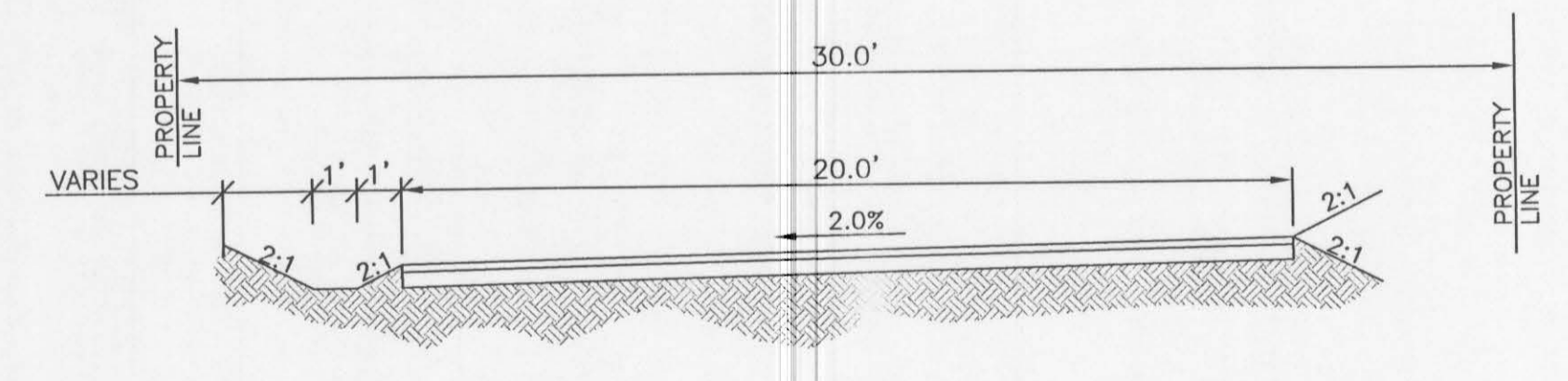
ROCK CHECK DAM 3
 NOT TO SCALE



DRAINAGE SWALE 1
 NOT TO SCALE



RETENTION FACILITY 2
 NOT TO SCALE



SECTION A-A
 NOT TO SCALE