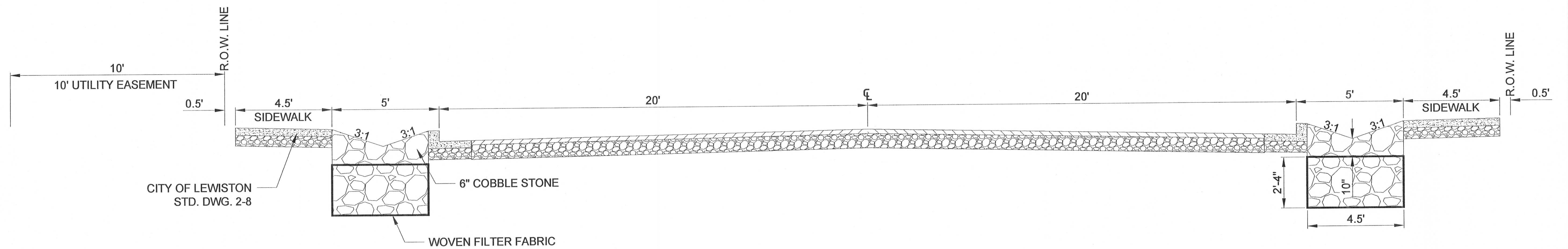
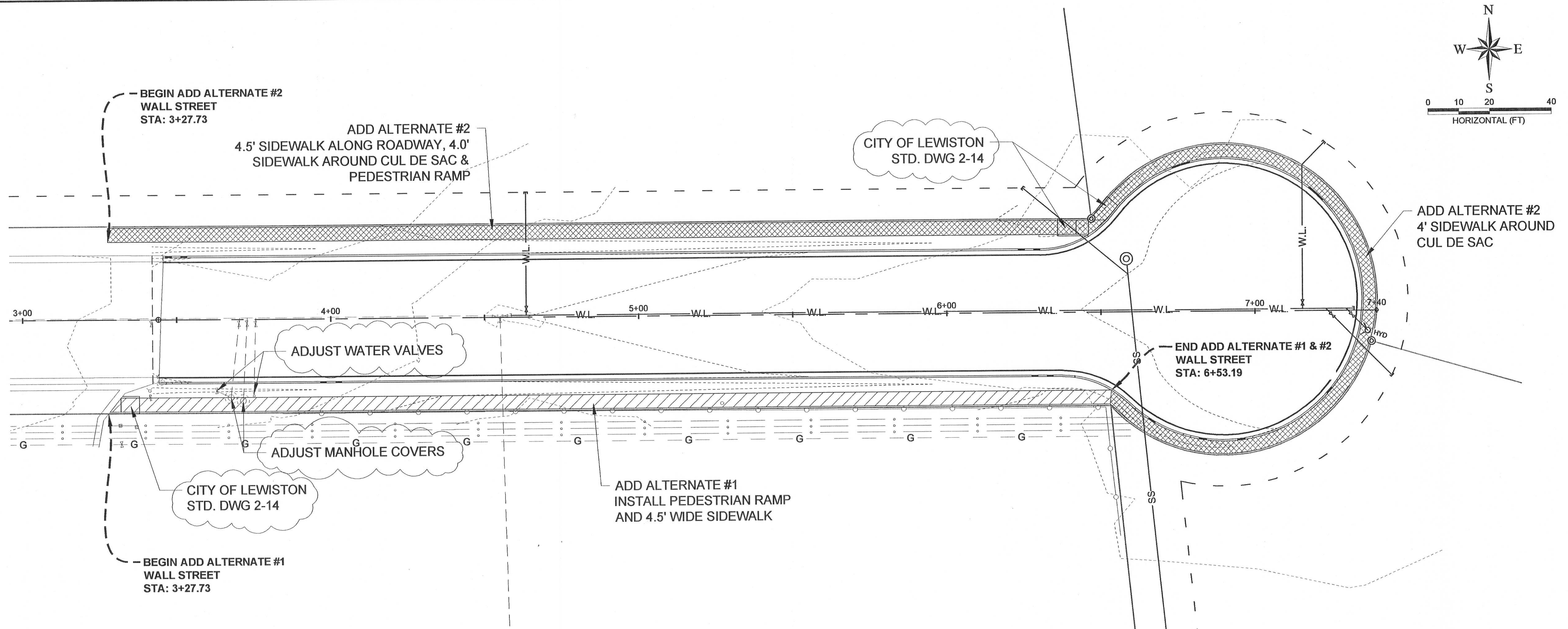


PLOT DATE: 12/14/2012
 E:\PROJECTS\2060-HARRY WALL INDUSTRIAL SITE EXPANSION\CADD\CIVIL_3D\DRAWINGS\2060-PLAN-AA#1.DWG



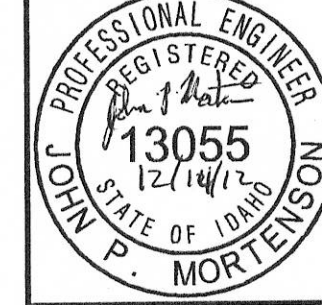
202 Falls Avenue
 Twin Falls, Id. 83301
 Phone: (208) 733-2446
 Fax: (208) 734-2748

RIEDEL
 Engineering

THIS DOCUMENT IS THE PROPERTY OF RIEDEL ENGINEERING, INC. AND IS NOT TO BE USED, IN WHOLE OR IN PART, FOR ANY OTHER PROJECT, OR THE EXTENSION OF THIS PROJECT WITHOUT THE WRITTEN AUTHORIZATION OF RIEDEL ENGINEERING, INC.

NO.	DATE	BY	REVISIONS	DESCRIPTION
1				
2				
3				
4				
5				
6				

HARRY WALL INDUSTRIAL PARK
 INFRASTRUCTURE EXTENSION PROJECT
 2013
 SIDEWALK ADD ALTERNATES



DESIGNED
 B.J.W.
 DESIGN CHECKED
 J.R.W. / J.P.M.
 DETAILED
 B.J.W.
 DRAWING CHECKED
 J.R.W. / J.P.M.
 FILE NAME
 2060-PLAN-AA#1.dwg
 DRAWING DATE
 12/14/12
 DRAWING SCALE
 AS SHOWN