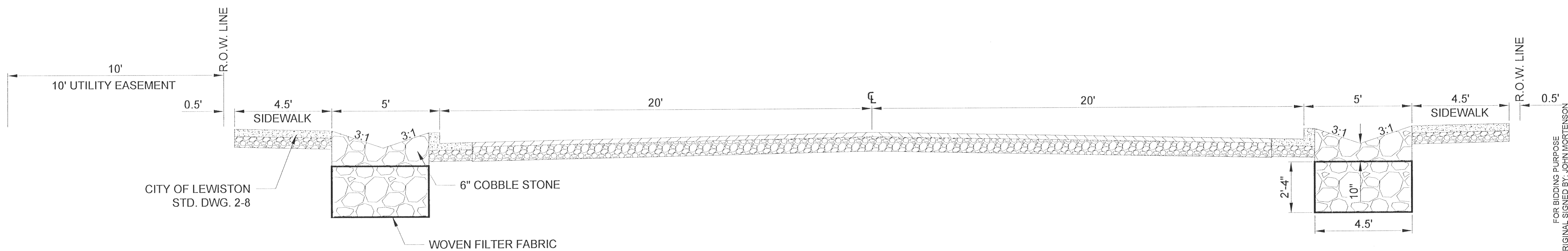
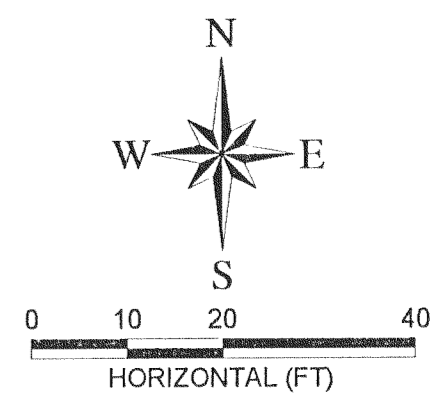
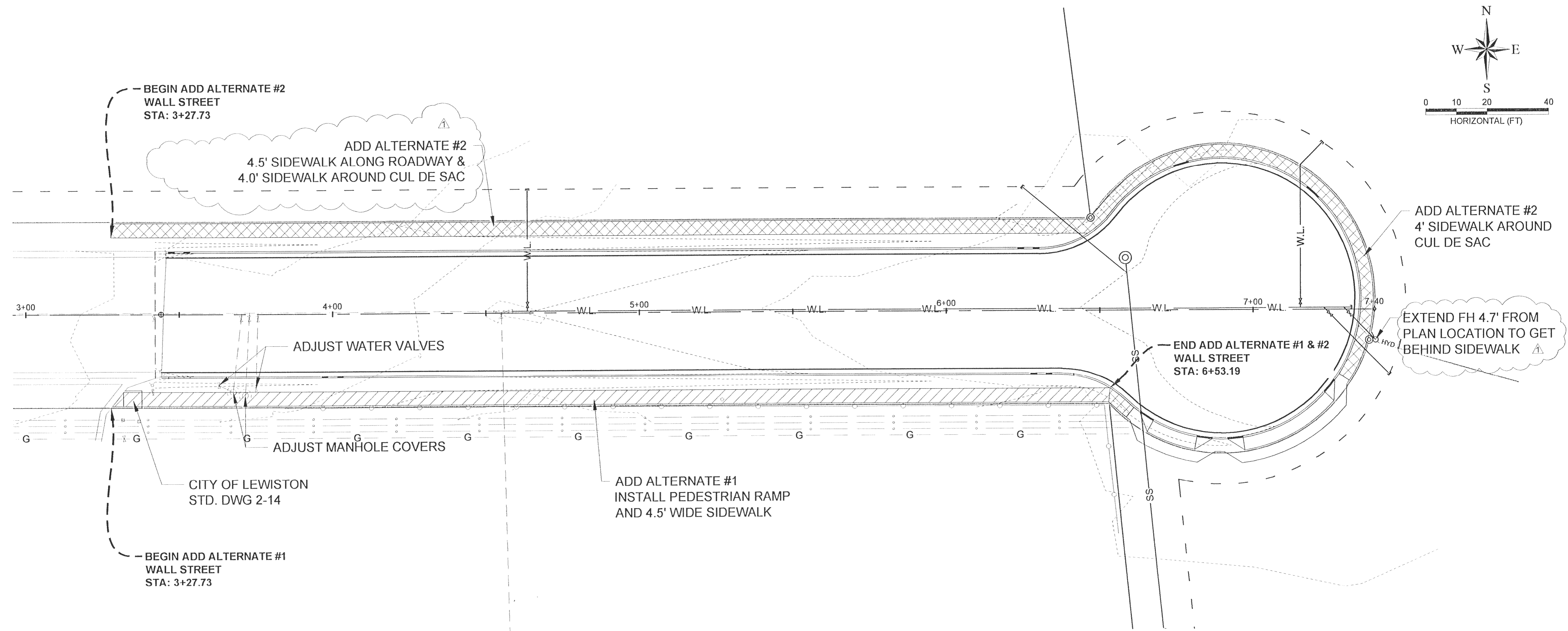


PLOT DATE: 1/4/2013  
 E:\PROJECTS\2060-HARRY WALL INDUSTRIAL SITE EXPANSION\CADD\CIVIL 3D\DRAWINGS\2060-PLAN-AA#1.DWG



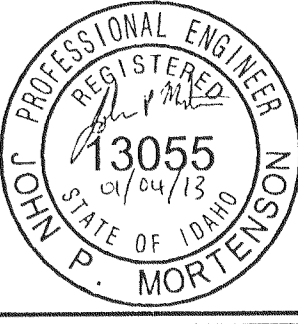
202 Falls Avenue  
 Twin Falls, Id. 83301  
 Phone: (208) 733-2446  
 Fax: (208) 734-2748

**RIEDEL**  
 Engineering

THIS DOCUMENT AND THE DATA AND DESIGN INFORMATION HEREON, AS AN INSTRUMENT OF PROFESSIONAL SERVICES, IS THE PROPERTY OF RIEDEL ENGINEERING, INC. AND IS NOT TO BE USED, IN WHOLE OR IN PART, FOR ANY OTHER PROJECT, OR THE EXTENSION OF THIS PROJECT WITHOUT THE WRITTEN AUTHORIZATION OF RIEDEL ENGINEERING, INC.

| NO. | DATE  | BY  | DESCRIPTION               |
|-----|-------|-----|---------------------------|
| 1   | 14-12 | BJW | REVISED PER CITY COMMENTS |
| 2   |       |     |                           |
| 3   |       |     |                           |
| 4   |       |     |                           |
| 5   |       |     |                           |
| 6   |       |     |                           |

HARRY WALL INDUSTRIAL PARK  
 INFRASTRUCTURE EXTENSION PROJECT  
 2013  
 SIDEWALK ADD ALTERNATES



FOR BIDDING PURPOSE  
 ORIGINAL SIGNED BY: JOHN MORTEYNSON  
 DATE ORIGINAL SIGNED BY: 12/14/12

DESIGNED: BJW  
 DESIGN CHECKED: JRW / JPM  
 DETAILED: BJW  
 DRAWING CHECKED: JRW / JPM

FILE NAME: 2060-PLAN-AA#1.dwg  
 DRAWING DATE: 1/4/13  
 DRAWING SCALE: AS SHOWN

SHEET 1 OF 1